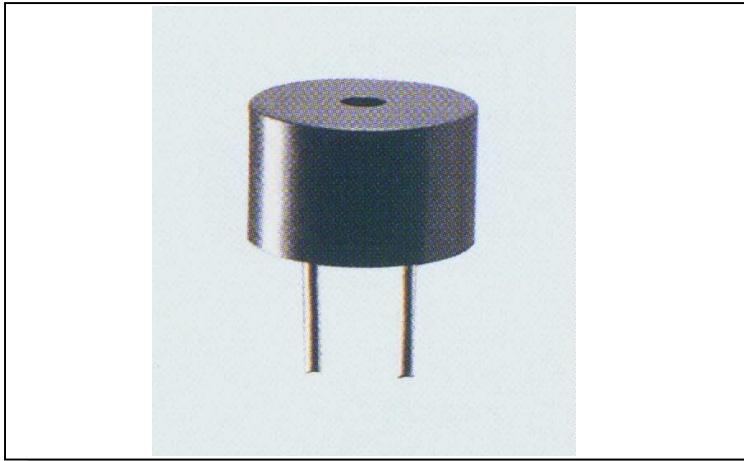


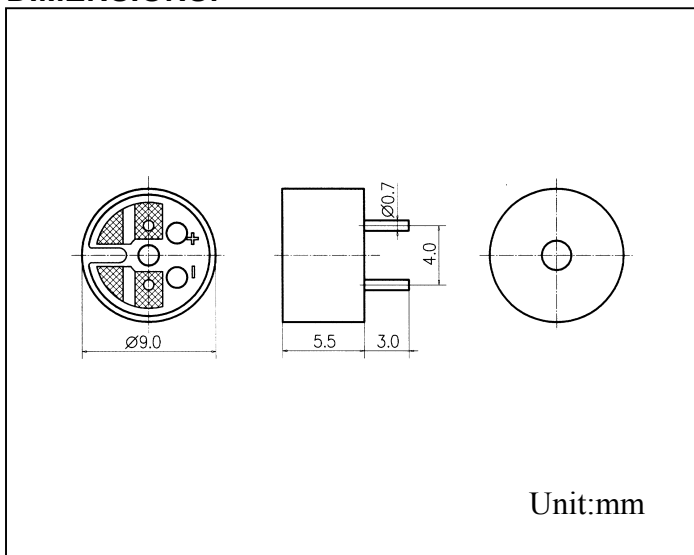
ECHO-MAGNETIC TRANSDUCER MT0955 SERIES



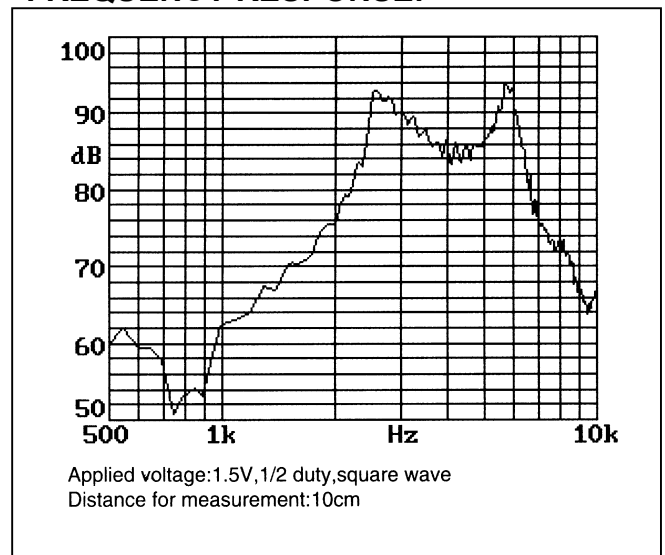
FEATURES:

- Emit a clear sound
- Small size & lightweight
- No electric noise
- Operating temperature -20°C -- $+70^{\circ}\text{C}$
- Storage temperature -30°C -- $+70^{\circ}\text{C}$

DIMENSIONS:



FREQUENCY RESPONSE:



SPECIFICATIONS:

Model Number	MT0955
Rated Voltage (V)	3
Operating Voltage (V)	2~6
◆Max. Rated Current (mA)	80
Coil Resistance (Ω)	25 ± 4
◆Min. Sound Output at 10cm (dB)	82
Resonant Frequency (Hz)	2731
Operating Temperature ($^{\circ}\text{C}$)	$-25\sim +70$
Storage Temperature ($^{\circ}\text{C}$)	$-40\sim +80$
Weight (g)	1

◆Value applying rated voltage (2731Hz, 1/2 duty, square wave)