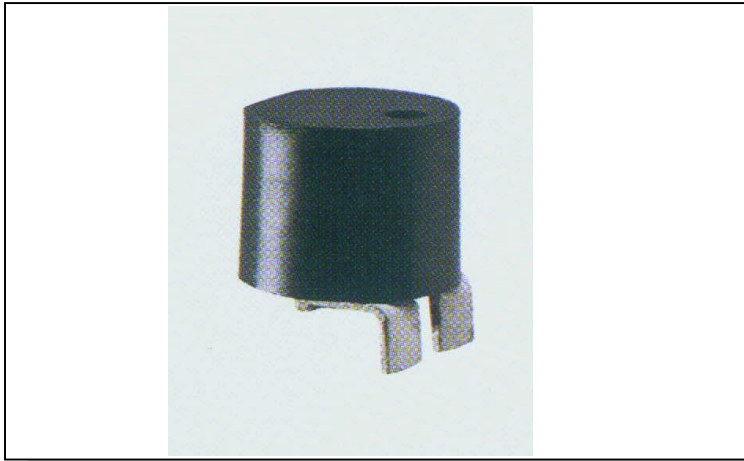


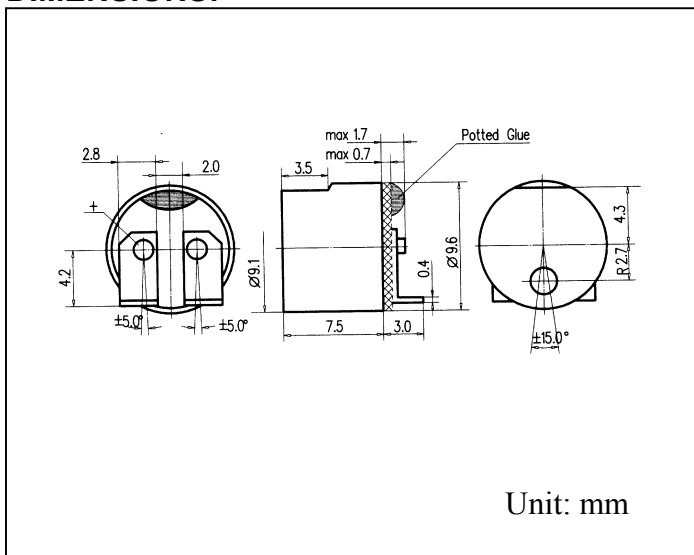
ECHO-MAGNETIC TRANSDUCER MT0975 SERIES



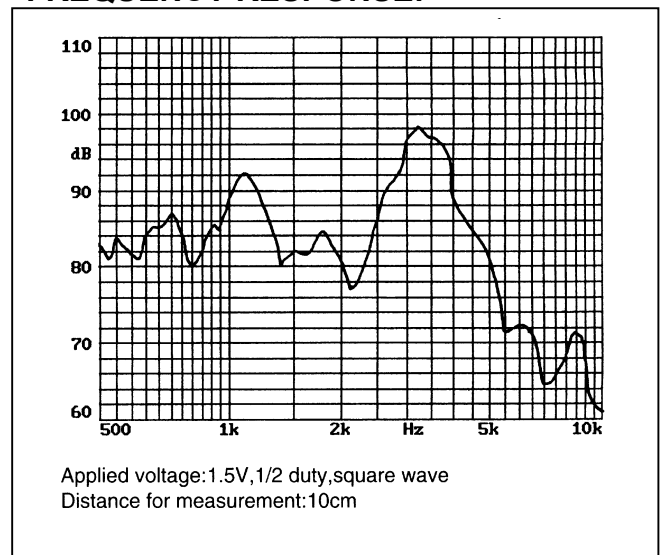
FEATURES:

- Emit a clear sound
- Small size & lightweight
- No electric noise
- Operating temperature -20°C ~ $+70^{\circ}\text{C}$
- Storage temperature -30°C ~ $+70^{\circ}\text{C}$

DIMENSIONS:



FREQUENCY RESPONSE:



SPECIFICATIONS:

Model Number	MT0975
Rated Voltage (V)	1.5
Operating Voltage (V)	1.2~1.7
◆Max. Rated Current (mA)	100
Coil Resistance (Ω)	5.5 ± 1
◆Min. Sound Output at 2.5cm (dB)	94 at 1200Hz ; 102 at 2700Hz, 3200Hz
Resonant Frequency (Hz)	2731
Operating Temperature ($^{\circ}\text{C}$)	$-20 \sim +60$
Storage Temperature ($^{\circ}\text{C}$)	$-55 \sim +85$
Weight (g)	1

◆Value applying rated voltage (2731Hz, 1/2 duty, square wave)