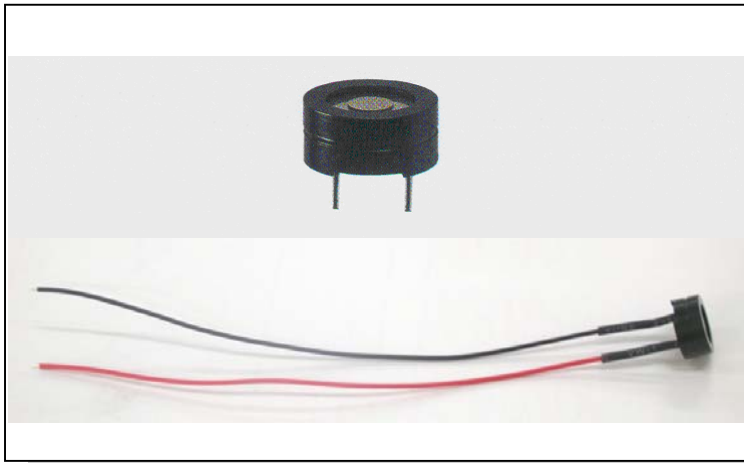


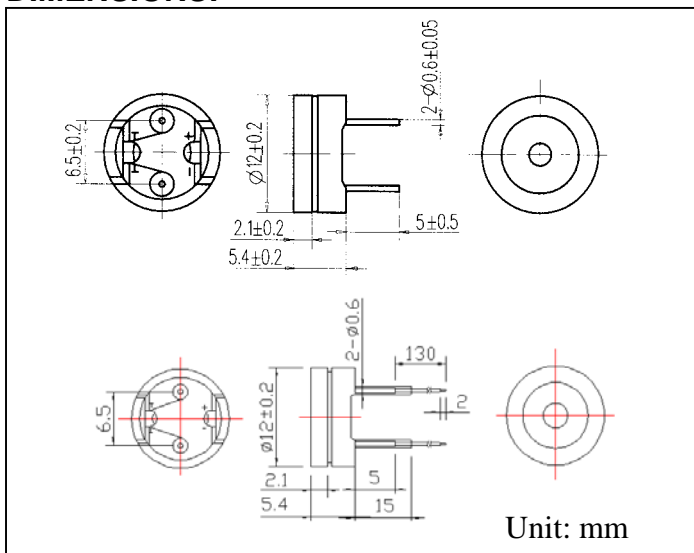
# ECHO-MAGNETIC TRANSDUCER MT1205 SERIES



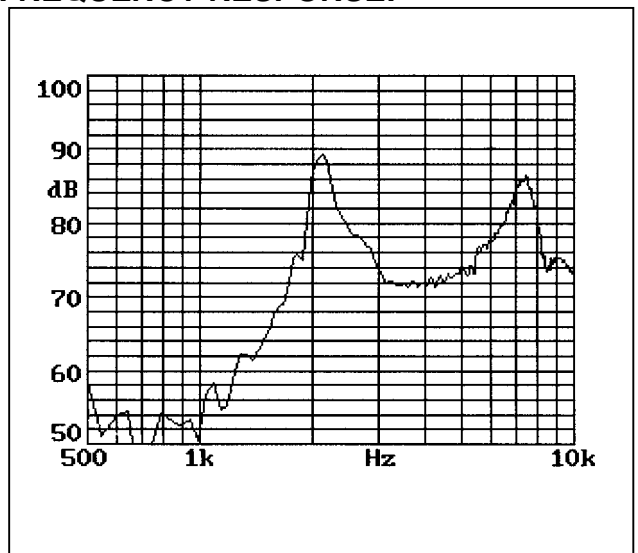
## FEATURES:

- Emit a clear sound
- Small size & lightweight
- No electric noise
- Operating temperature  $-20^{\circ}\text{C}$ ~ $+70^{\circ}\text{C}$
- Storage temperature  $-30^{\circ}\text{C}$ ~ $+70^{\circ}\text{C}$

## DIMENSIONS:



## FREQUENCY RESPONSE:



## SPECIFICATIONS:

Model Number	MT1205-01	MT1205-02	MT1205-03
Rated Voltage (V)	1.5		
Operating Voltage (V)	1~2		
◆Max. Rated Current (mA)	30	10	30
Coil Resistance ( $\Omega$ )	16±4	42±6	16±4
◆Min. Sound Output at 10cm (dB)	75	70	75
Resonant Frequency (Hz)	2048		
Operating Temperature ( $^{\circ}\text{C}$ )	-25~+70		
Storage Temperature ( $^{\circ}\text{C}$ )	-30~+85		
Weight (g)	2		

◆Value applying rated voltage (2048Hz, 1/2 duty, square wave)