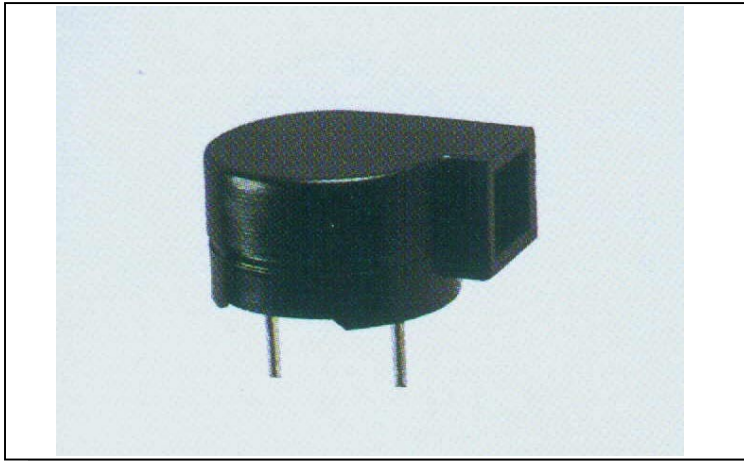


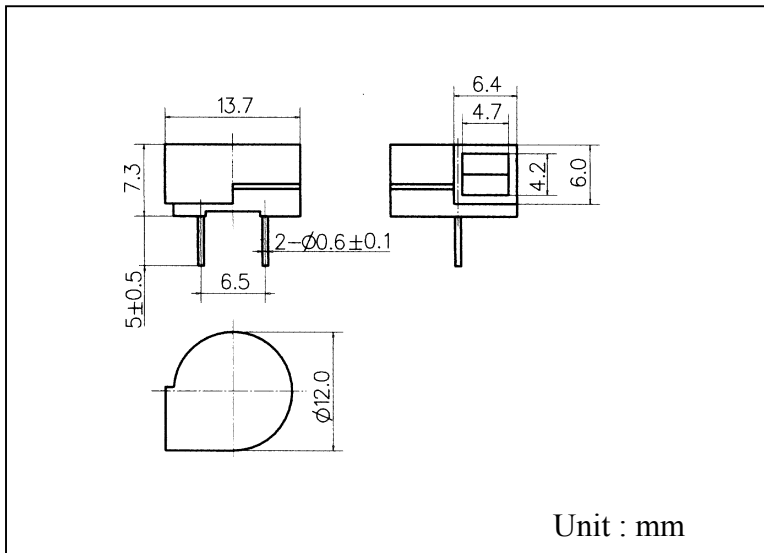
# ECHO-MAGNETIC TRANSDUCER MT1207 SERIES



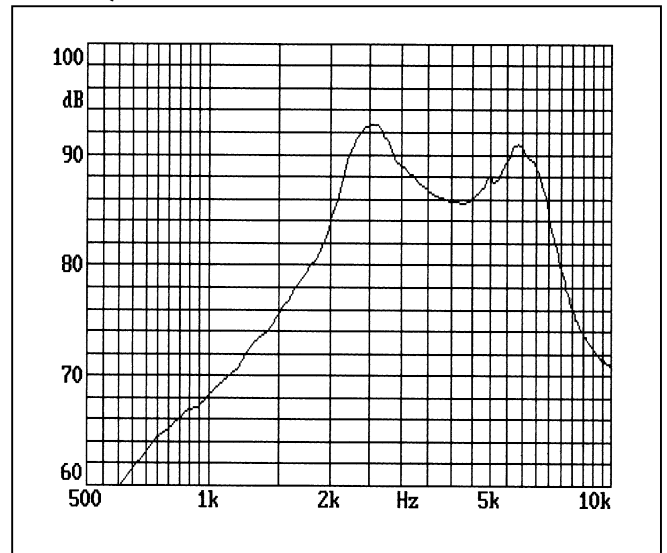
## FEATURES:

- Emit a clear sound
- Small size & lightweight
- No electric noise
- Operating temperature  $-20^{\circ}\text{C}$ -- $+70^{\circ}\text{C}$
- Storage temperature  $-30^{\circ}\text{C}$ -- $+70^{\circ}\text{C}$

## DIMENSIONS:



## FREQUENCY RESPONSE:



## SPECIFICATIONS:

Model Number	MT1207
Rated Voltage (V)	1.5
Operating Voltage (V)	1~2
◆Max. Rated Current (mA)	70
Coil Resistance ( $\Omega$ )	$6.5\pm 1$
◆Min. Sound Output at 10cm (dB)	85
Resonant Frequency (Hz)	2731
Operating Temperature ( $^{\circ}\text{C}$ )	$-25\sim +70$
Storage Temperature ( $^{\circ}\text{C}$ )	$-30\sim +85$
Weight (g)	2

◆Value applying rated voltage (2731Hz, 1/2 duty, square wave)