

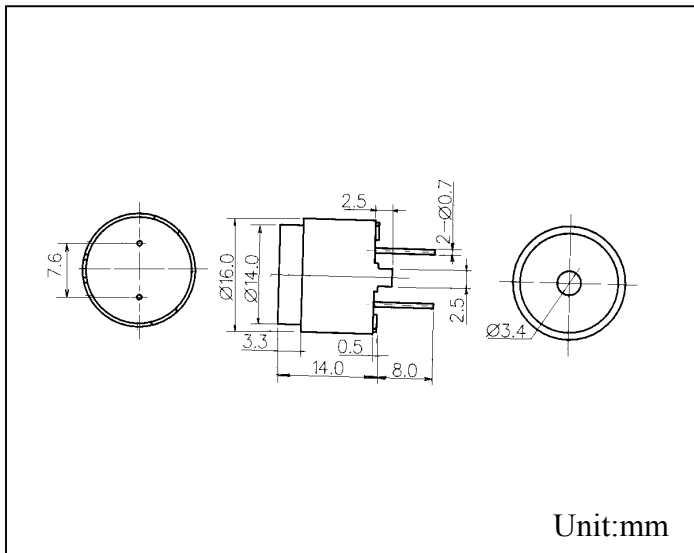
ECHO-MAGNETIC TRANSDUCER MT1425 SERIES



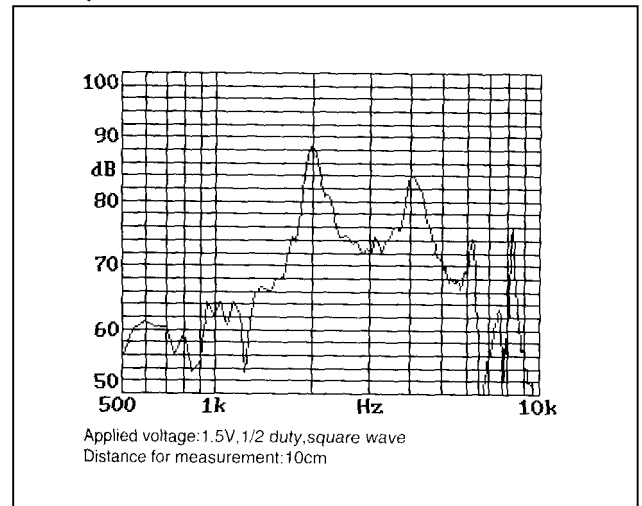
FEATURES:

- Emit a clear sound
- Small size & lightweight
- No electric noise
- Operating temperature -20°C -- $+70^{\circ}\text{C}$
- Storage temperature -30°C -- $+70^{\circ}\text{C}$

DIMENSIONS:



FREQUENCY RESPONSE:



Typical curve of type MT1425-01

SPECIFICATIONS:

Model Number	MT1425-01	MT1425-02	MT1425-03
Rated Voltage (V)	1.5	6	12
Operating Voltage (V)	1~2	4~8	6~18
◆Max. Rated Current (mA)	12	40	
Coil Resistance (Ω)	27 \pm 3	50 \pm 5	115 \pm 12
◆Min. Sound Output at 2.5cm (dB)	80	85	
Resonant Frequency (Hz)	2048		
Operating Temperature ($^{\circ}\text{C}$)	-25~+70		
Storage Temperature ($^{\circ}\text{C}$)	-30~+85		
Weight (g)	7		

◆Value applying rated voltage (2048Hz, 1/2 duty, square wave)