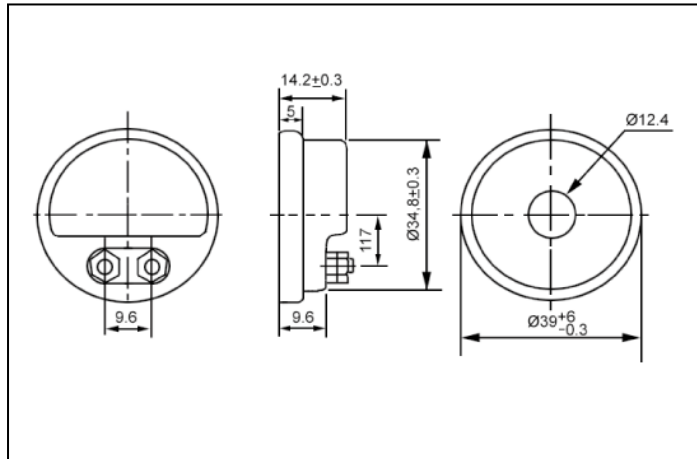




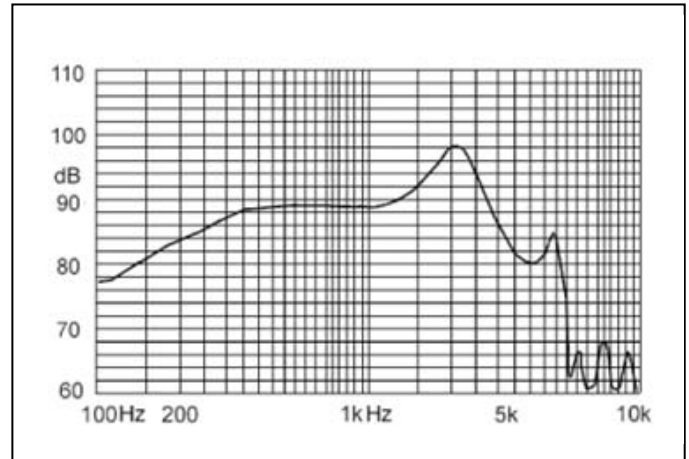
FEATURES:

- High-performance sounder
- Clear sound

DIMENSIONS: Unit: mm



FREQUENCY RESPONSE:



SPECIFICATIONS:

Model Number	MT3915A-01	MT3915A-02
Rated Voltage (V _{p-p})	24	24
DC Resistance (Ω)	19±2	36±4
AC Impedance at 1KHZ(Ω)	≥ 70	≥ 80
Resonant Frequency (Hz)	2500±500	2500±500
Sound Output at square wave 24V _{p-p} 1000HZ/1m (dB)	≥ 90	≥ 90
Operating Temperature (°C)	-20~+60	-20~+60
Storage Temperature (°C)	-30~+70	-30~+70
Weight (g)	21	21