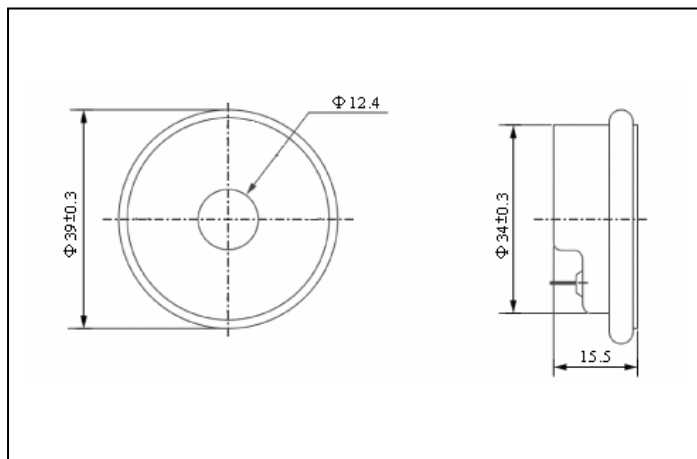


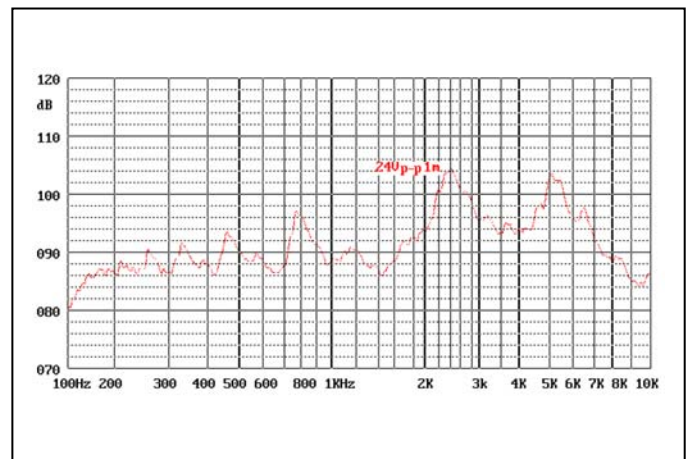
FEATURES:

- High-performance sounder
- Clear sound

DIMENSIONS: Unit: mm



FREQUENCY RESPONSE:



SPECIFICATIONS:

Model Number	MT3915B-01
Rated Voltage (V _{p-p})	24
DC Resistance (Ω)	10±2
AC Impedance at 1KHZ(Ω)	≥35
Resonant Frequency (Hz)	2200±300
Sound Output at square wave 24V _{p-p} 1000HZ/1m (dB)	≥90
Operating Temperature (°C)	-20~+60
Storage Temperature (°C)	-30~+70
Weight (g)	20