

ECHO-PIEZO BUZZER

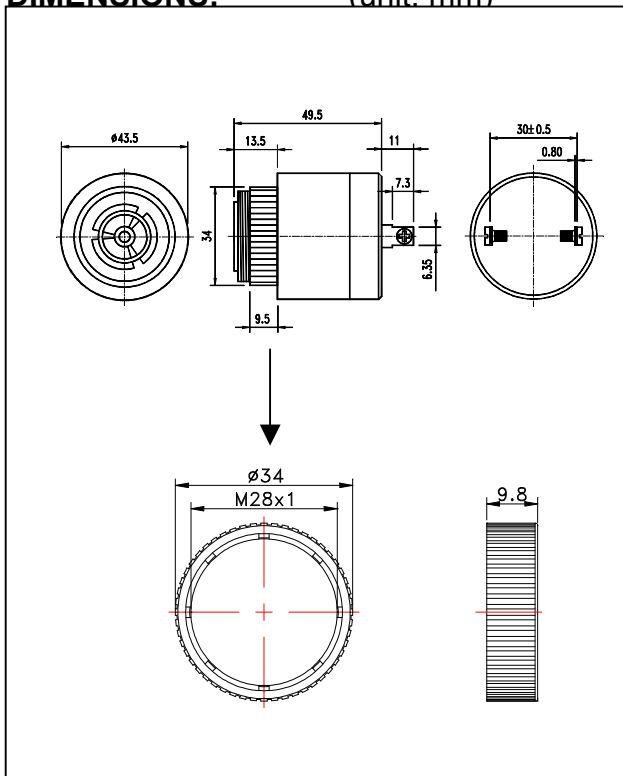
B12 SERIES



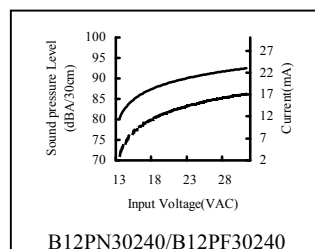
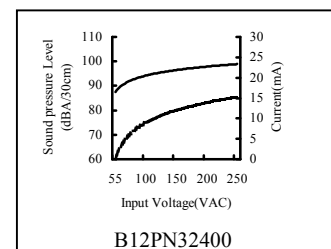
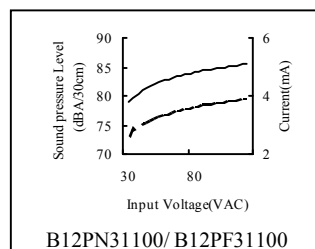
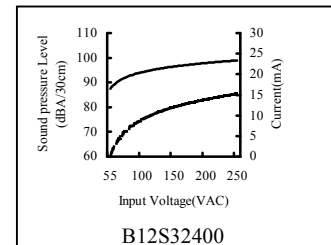
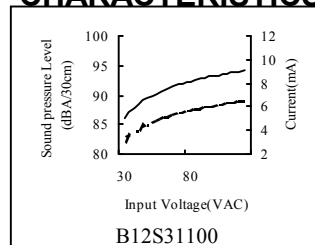
FEATURES:

- Panel mounted
- Single/pulse tone
- Medium loudness
- Excellent insulation
- Working voltage: 110/240VAC
- Operating temperature -20°C -- $+70^{\circ}\text{C}$
- Storage temperature -30°C -- $+70^{\circ}\text{C}$

DIMENSIONS: (unit: mm)



CHARACTERISTICS:



Remark: ——— Pressure level - - - - - Current

SPECIFICATIONS:

Model No.	Operating Voltage (VAC)	Rated Voltage (VAC)	Max. Current at Rated Voltage (mA)	Frequency (kHz)	Min. Sound Pressure at Rated Voltage (dBA/30cm)	Pulse Rate at Rated Voltage (Pulse/Sec)	Tone	Terminal
B12S31100	30-120	110	20	2.9 \pm 0.5	90	0	SINGLE	LEAD
B12S32400	55-250	240	20	3.0 \pm 0.5	90	0	SINGLE	LEAD
B12PN31100	30-120	110	10	2.9 \pm 0.5	80	0.8-1.2	PULSE	LEAD
B12PF31100	30-120	110	10	2.9 \pm 0.5	80	4-6	PULSE	LEAD
B12PN32400	60-250	240	10	2.9 \pm 0.5	80	0.8-1.2	PULSE	LEAD
B12PN30240	13-30	24	25	2.2-2.7	90	0.8-1.2	PULSE	LEAD
B12PF30240	13-30	24	25	2.3-2.9	90	4-6	PULSE	LEAD