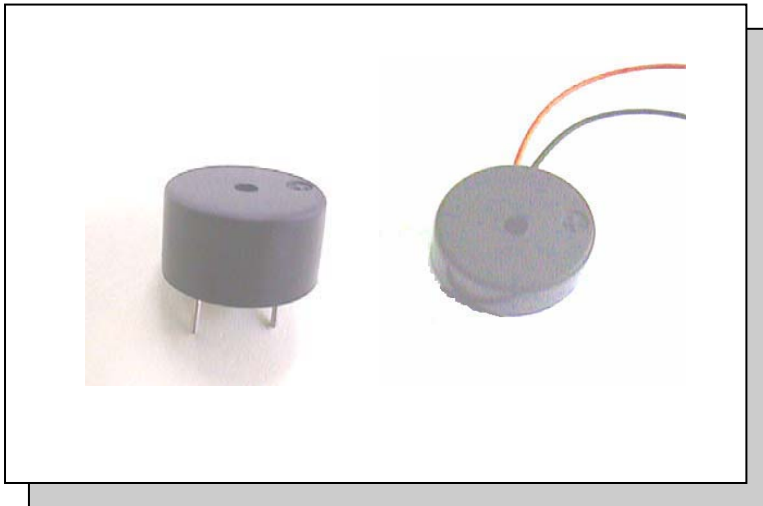


ECHO-PIEZO BUZZER

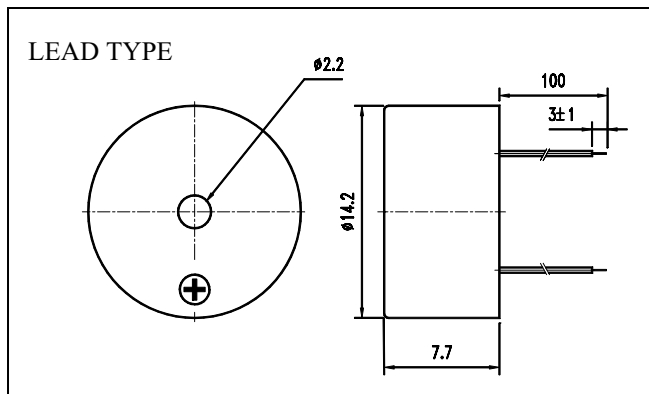
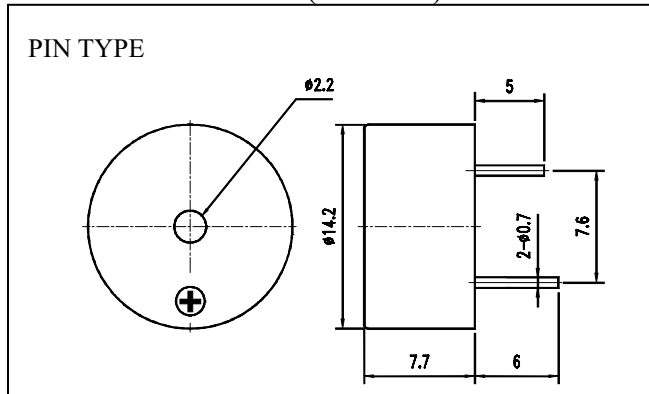
B22 SERIES



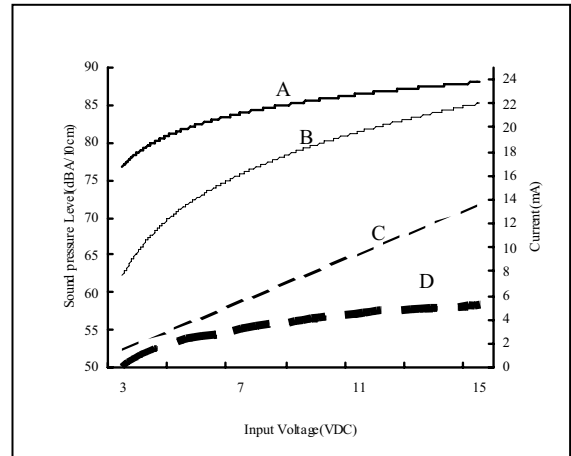
FEATURES:

- Ultra-miniature in cubic volume and light in weight
- Low power consumption
- Very clear electronic sound can be heard in the distance, even under noisy circumstances
- No electric noise due to contacting parts; superior reliability and life time
- Wide range of operating voltages(3~15VDC)
- Operating temperature -20°C -- $+70^{\circ}\text{C}$
- Storage temperature -30°C -- $+70^{\circ}\text{C}$

DIMENSIONS: (unit: mm)



CHARACTERISTICS:



- Remark
- A (Single Sound Pressure)
 - B (Pulse Sound Pressure)
 - - - C (Pulse Current)
 - - - D (Single Current)

SPECIFICATIONS:

Model No.	Operating Voltage (VDC)	Rated Voltage (VDC)	Max. Current at Rated Voltage (mA)	Frequency (kHz)	Min. Sound Pressure at Rated Voltage (dBA/10cm)	Pulse Rate at Rated Voltage (Pulse/Sec)	Tone	Terminal
B22S4120P	3-15	12	10	3.5-4.8	83	NIL	SINGLE	PIN
B22S4120L	3-15	12	10	3.5-4.8	83	NIL	SINGLE	LEAD
B22P4120P	4.8-15	12	15	4.1±0.5	75	2-7	PULSE	PIN