

ECHO-PIEZO BUZZER

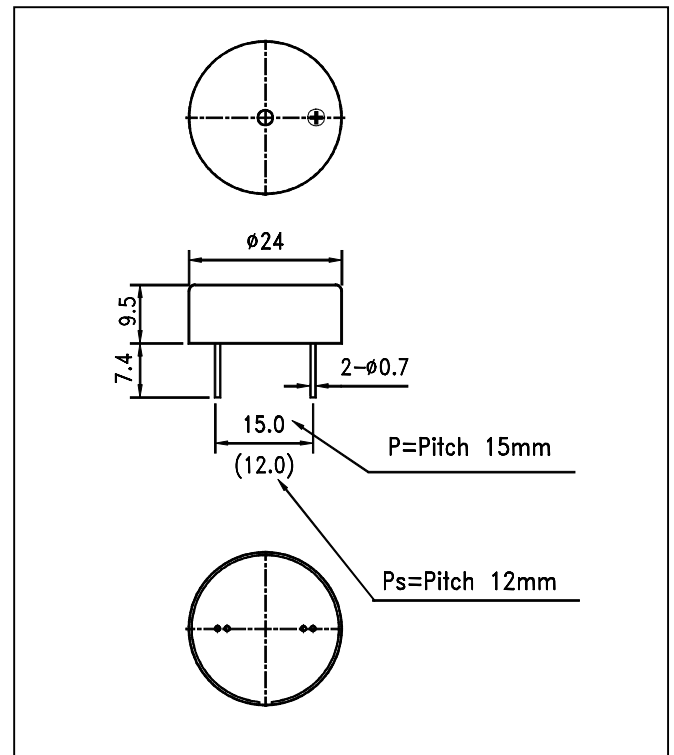
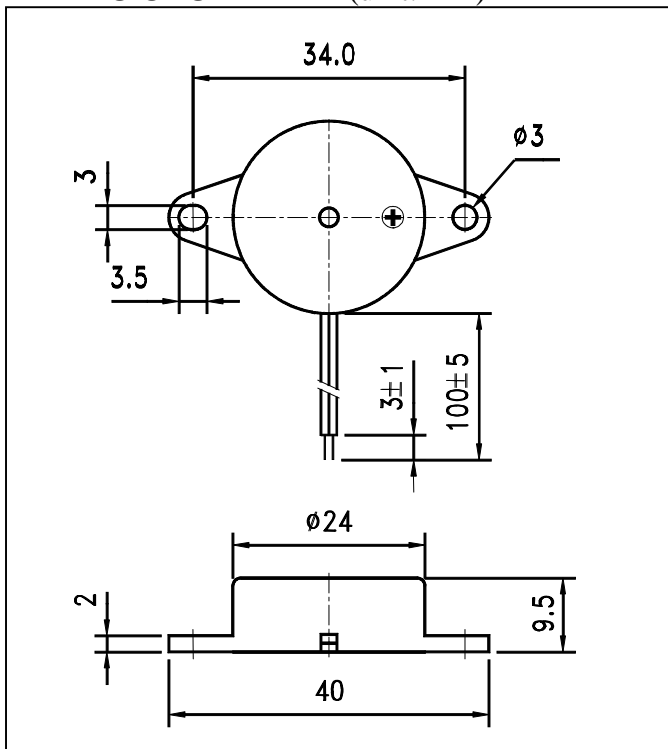
B35 SERIES



FEATURES :

- Medium to loud sound output
- Low current consumption
- Extremely durable & long life
- Multi-tone
- Screw/PCB mounting
- Operating temperature $-20^{\circ}\text{C} \rightarrow +70^{\circ}\text{C}$
- Storage temperature $-30^{\circ}\text{C} \rightarrow +70^{\circ}\text{C}$

DIMENSIONS: (unit: mm)



SPECIFICATIONS:

Model No.	Operating Voltage (VDC)	Rated Voltage (VDC)	Max. Current at Rated Voltage (mA)	Frequency (kHz)	Min. Sound Pressure at Rated Voltage (dBA/30cm)	Pulse Rate at Rated Voltage (Pulse/Sec)	Tone	Terminal
B35S3120P/PS	3-28	12	20	3.0 ± 0.5	80	/	SINGLE	15/12
B35PF3120P/PS	3-28	12	20	3.0 ± 0.5	80	1-3	PULSE	15/12
B35PN3120P/PS	3-28	12	20	3.0 ± 0.5	80	0.6-2	PULSE	15/12
B35T3120P/PS	3-28	12	20	$(2.6-2.8) \pm 0.5$	80	/	TWO	15/12
B35S3120L	3-28	12	20	3.0 ± 0.5	80	/	SINGLE	LEAD
B35PF3120L	3-28	12	20	3.0 ± 0.5	80	1-3	PULSE	LEAD
B35PN3120L	3-28	12	20	3.0 ± 0.5	80	0.6-2	PULSE	LEAD
B35T3120L	3-28	12	20	$(2.6-2.8) \pm 0.5$	80	/	TWO	LEAD