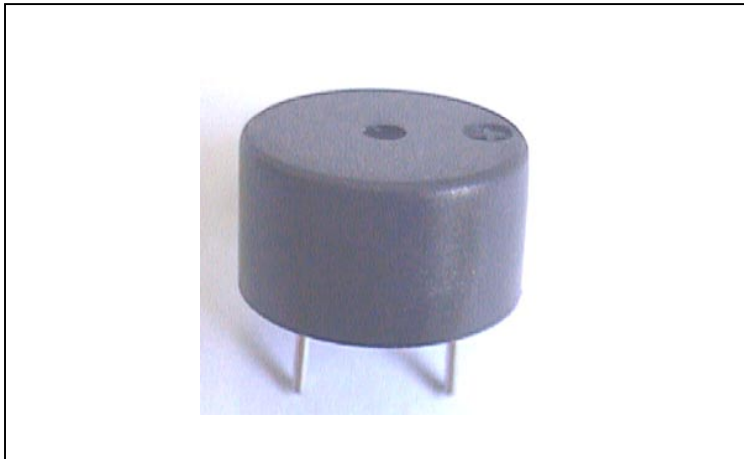


ECHO-PIEZO TRANSDUCER

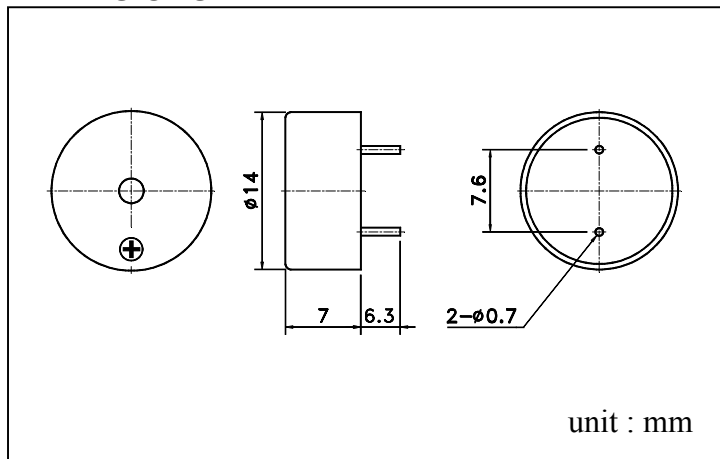
B52 SERIES



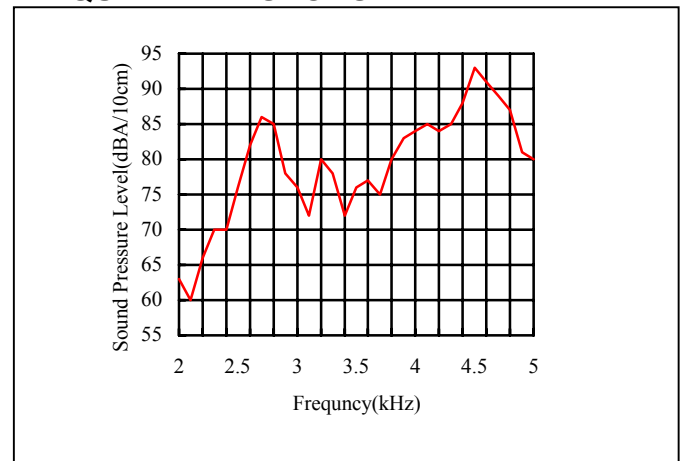
FEATURES:

- Ultra small size
- Low current consumption
- Extremely durable
- Long life
- Operating temperature -20°C -- $+70^{\circ}\text{C}$
- Storage temperature -30°C -- $+70^{\circ}\text{C}$

DIMENSIONS:



FREQUENCY RESPONSE:



SPECIFICATIONS:

Model Number	B52B04P
Sound Pressure Level	80dBA Min. at 10cm
Static Capacitance	15,000pF \pm 30%
Input Voltage	3V RMS,4KHz, Sine wave
Max. Input Voltage	30Vp-p
Current Consumption	1.5mA
Operating Temperature	-25°C ~ $+70^{\circ}\text{C}$
Storage Temperature	-30°C ~ $+80^{\circ}\text{C}$
Weight	1.1g