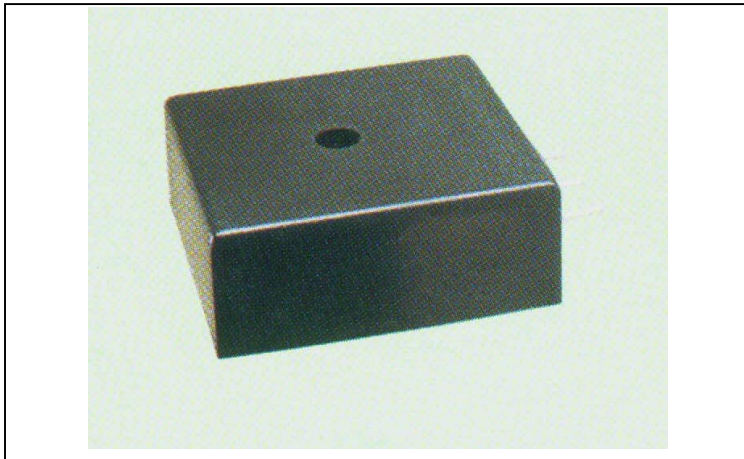


ECHO-PIEZO TRANSDUCER

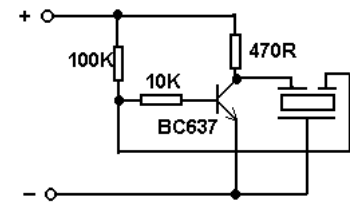
B69 SERIES



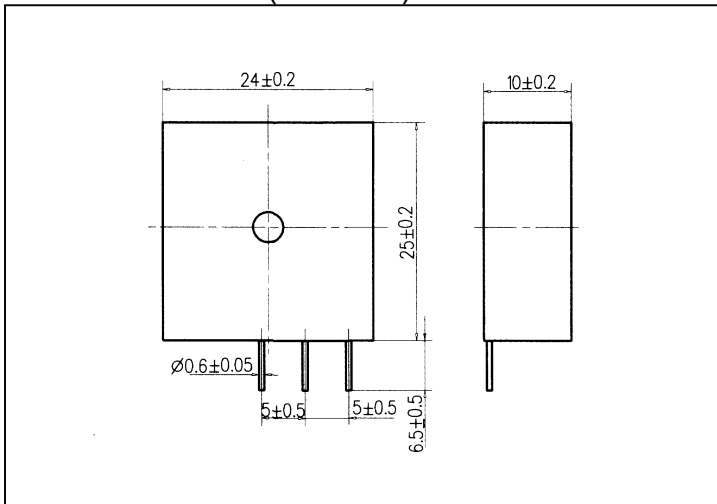
FEATURES:

- Feed-back type
- Emit a clear penetrating sound
- Ultra small size and lightweight
- Extremely durable & long life
- Operating temperature -20°C ~ $+70^{\circ}\text{C}$
- Storage temperature -30°C ~ $+70^{\circ}\text{C}$

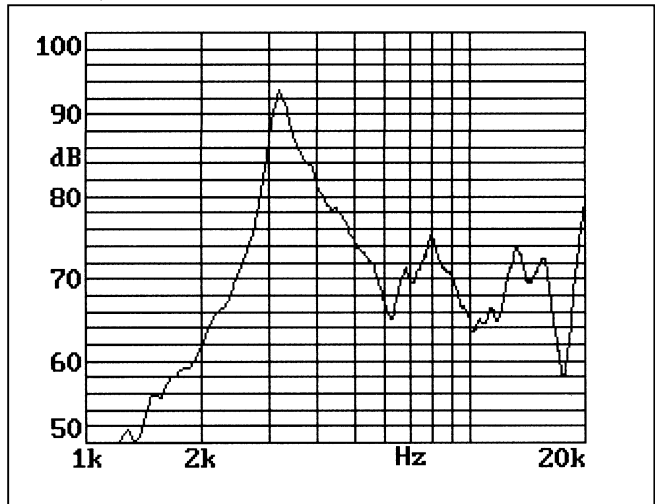
TEST CIRCUIT



DIMENSIONS: (unit: mm)



FREQUENCY RESPONSE:



SPECIFICATIONS:

Model Number	B69B03P
Sound Pressure Level	90dBA Min. at 10cm
Static Capacitance	18,000pF±30% at 120Hz
Input Voltage	12VDC
Max. Input Voltage	20VDC
Current Consumption	20mA Max.
Operating Temperature	-20°C ~ $+110^{\circ}\text{C}$
Storage Temperature	-30°C ~ $+110^{\circ}\text{C}$
Weight	3.5g