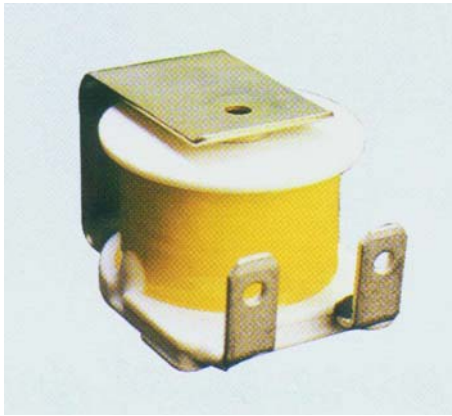


ECHO-MAGNETIC BUZZER

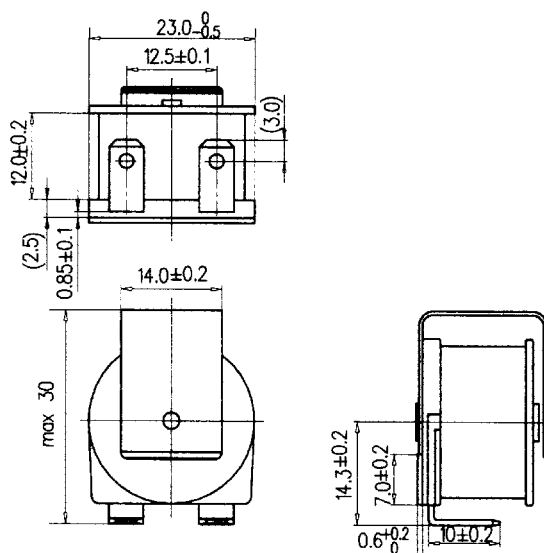
B63 SERIES



FEATURES:

- Ultra small size
- Low current consumption
- Extremely durable
- Long life
- Operating temperature -20°C --- $+70^{\circ}\text{C}$
- Storage temperature -30°C --- $+70^{\circ}\text{C}$

DIMENSIONS:



Unit: mm

SPECIFICATIONS:

Model No.	Operating Voltage (VAC)	Rated Voltage (VAC)	Max. Current at Rated Voltage (mA)	Coil Resistance (Ω)	Min. Sound Pressure at Rated Voltage (dBA/10cm)	Pulse Rate at Rated Voltage (Pulse/Sec)	Tone	Terminal
B63S31100	70-150	110	25	4200 \pm 10%	75	NIL	SINGLE	PIN
B63S32300	160-260	230	30	8000 \pm 10%	78	NIL	SINGLE	PIN