

ECHO-PIEZO BUZZER

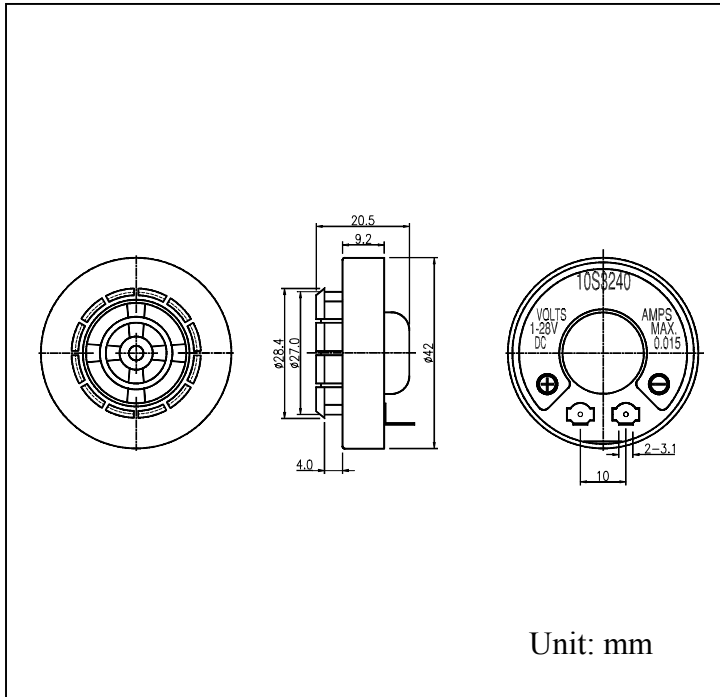
B108 SERIES



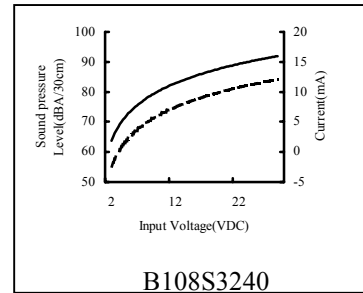
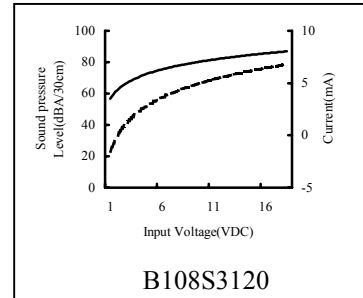
FEATURES:

- Piezo sounder
- Plate terminal
- Screw mounting with plate
- Operating temperature -20°C -- $+70^{\circ}\text{C}$
- Storage temperature -30°C -- $+70^{\circ}\text{C}$

DIMENSIONS:



CHARACTERISTICS:



Remark: _____ Pressure level ----- Current

SPECIFICATIONS:

Model No.	Operating Voltage (VDC)	Rated Voltage (VDC)	Max. Current at Rated Voltage (mA)	Frequency (kHz)	Min. Sound Pressure at Rated Voltage (dBA/30cm)	Pulse Rate at Rated Voltage (Pulse/Sec)	Tone	Terminal
B108S3120	1-18	12	16	2.4-3.4	80	NIL	SINGLE	PLATE
B108S3240	1-28	24	15	2.4-3.4	85	NIL	SINGLE	PLATE