

ECHO-PIEZO BUZZER

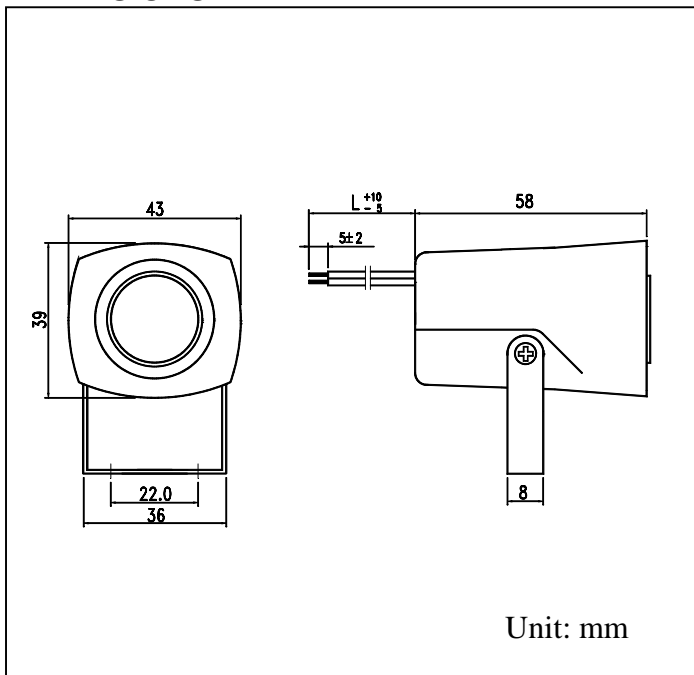
ESB6 SERIES



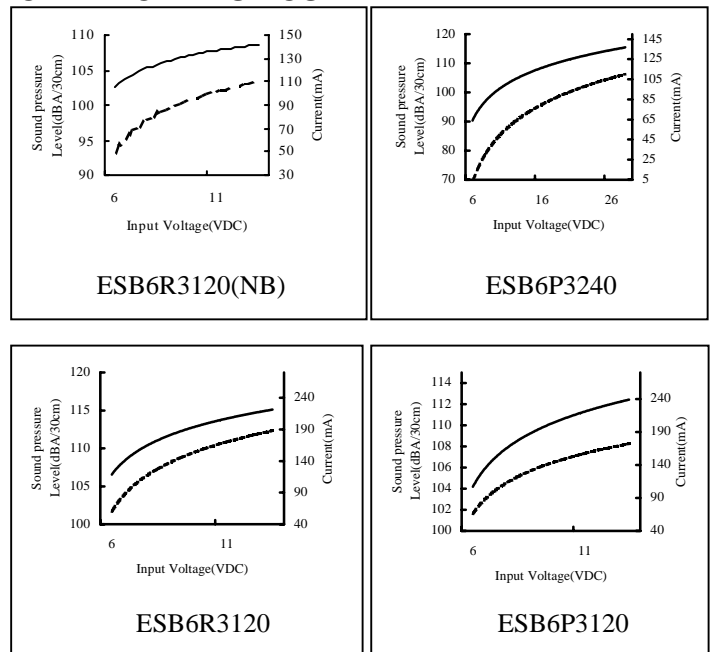
FEATURES:

- Loud sound output
- Screw mounting with leadwire terminals
- Completely weatherproof
- Compatible with most alarm systems
- Operating temperature -20°C --- $+70^{\circ}\text{C}$
- Storage temperature -30°C --- $+70^{\circ}\text{C}$

DIMENSIONS:



CHARACTERISTICS:



Remark: ——— Pressure level - - - - - Current

L=550mm,standard (changes as your request)

SPECIFICATIONS:

Model No.	Operating Voltage (VDC)	Rated Voltage (VDC)	Max. Current at Rated Voltage (mA)	Frequency (kHz)	Min. Sound Pressure at Rated Voltage (dBA/30cm)	Pulse Rate at Rated Voltage (Pulse/Sec)	Tone	Terminal
*ESB6S3120	6-13	12	300	3.0±0.5	110	NIL	SINGLE	LEAD
ESB6P3120	6-13	12	300	1.6-2.3	105	2-7	PULSE	LEAD
ESB6P3240	6-27	24	300	1.6-2.3	105	2-7	PULSE	LEAD
ESB6R3120	6-13	12	400	3.0±0.5	114	NIL	SIREN	LEAD
ESB6R3120-15	6-13	12	300	3.0±0.5	108	NIL	SIREN	LEAD
ESB6R3120(CE)	6-13	12	400	3.0±0.5	114	NIL	SIREN	LEAD
ESB6R3120(NB)	6-13	12	150	3.0±0.5	105	NIL	SIREN	LEAD