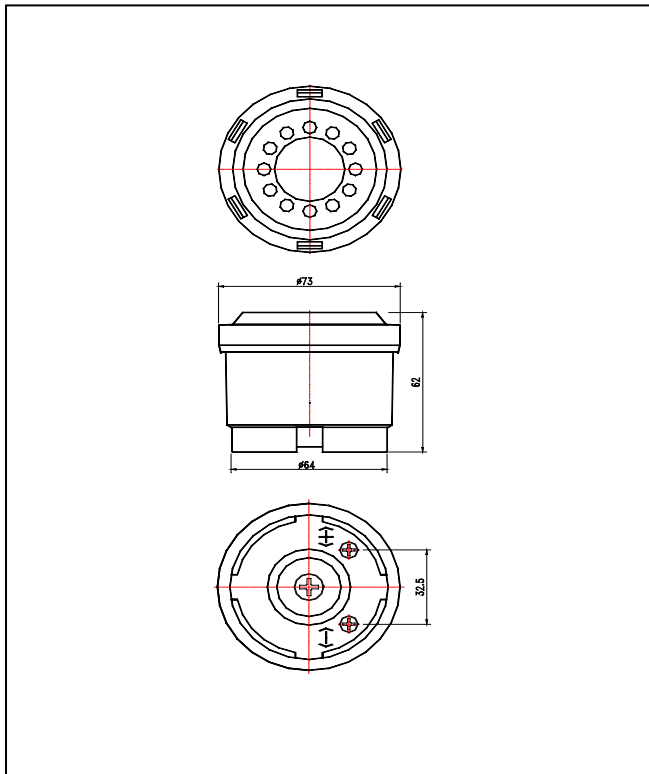




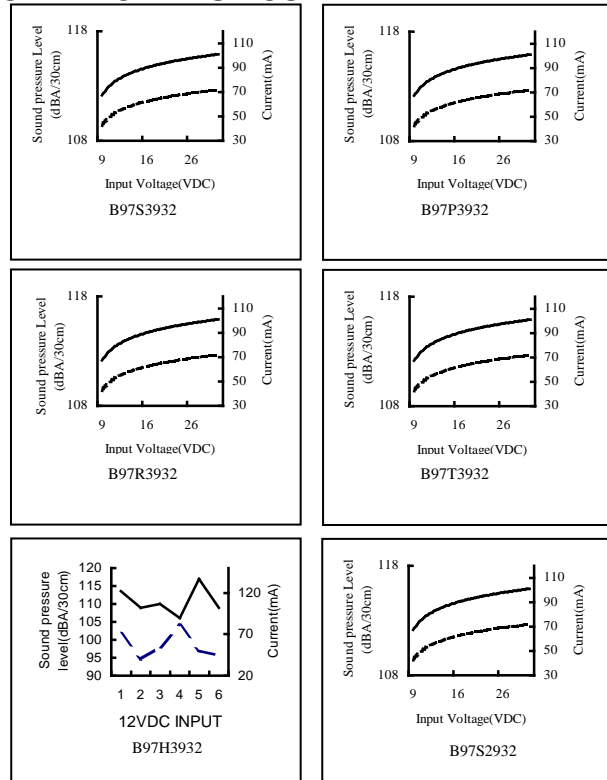
### FEATURES:

- Single/pulse/siren/two/hex tone siren
- Impact resistance polycarbonate plastic housing
- Loud sound output
- Wide operating voltage
- Low current consumption
- Splash-Proof
- CE approved
- Excellent resistance to moisture, dust and corrosion
- Temperature range  $-30^{\circ}\text{C} \sim +90^{\circ}\text{C}$

### DIMENSIONS:



### CHARACTERISTICS:



### SPECIFICATIONS:

Remark: \_\_\_\_\_ Pressure level ----- Current

Model No.	Operating Voltage (VDC)	Rated Voltage (VDC)	Max. Current at Rated Voltage (mA)	Frequency (kHz)	Sound Pressure at Rated Voltage (dB(A)/30cm)	Pulse Rate at Rated Voltage (Pulse/Sec)	Tone	Terminal
B97S3932	9-32	12/24	100	$2.8 \pm 0.5$	$110 \pm 5$	/	SINGLE	PIN
B97P3932	9-32	12/24	100	$2.8 \pm 0.5$	$110 \pm 5$	1.0-1.6	PULSE	PIN
B97R3932	9-32	12/24	100	$(2.5-2.8) \pm 0.5$	$110 \pm 5$	/	SIREN	PIN
B97T3932	9-32	12/24	100	$(2.5-2.8) \pm 0.5$	$110 \pm 5$	/	TWO	PIN
B97H3932	9-32	12/24	150	$(2.0-3.0) \pm 0.5$	$110 \pm 5$	/	HEX	PIN
B97S2932	9-32	12/24	100	$1.8 \pm 0.5$	$110 \pm 5$	/	SINGLE	PIN

Hex: Standard siren, Code-alarm, Euro-siren, Slot-machine, Smoke-alarm, Ray gun