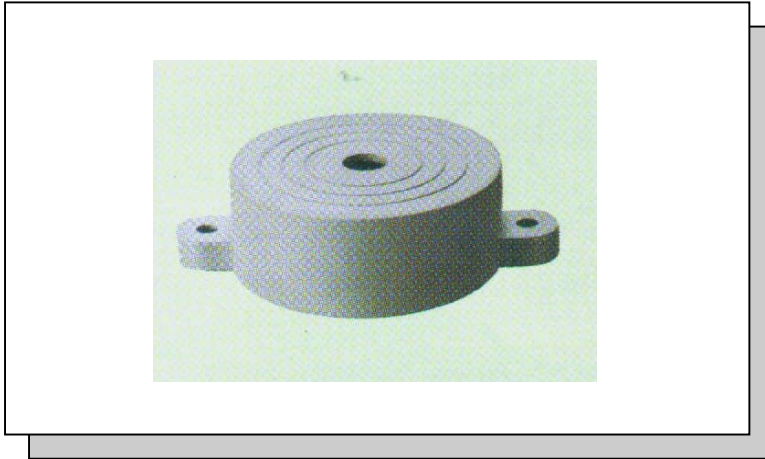


# ECHO-PIEZO BUZZER

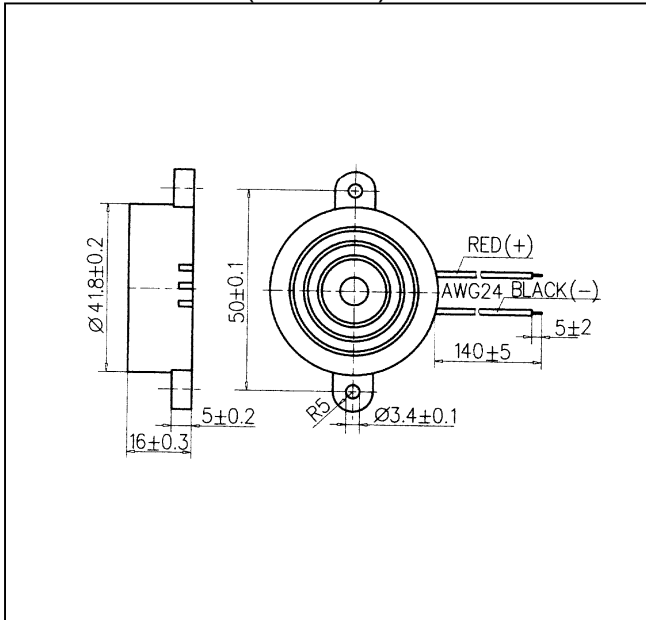
## B106 SERIES



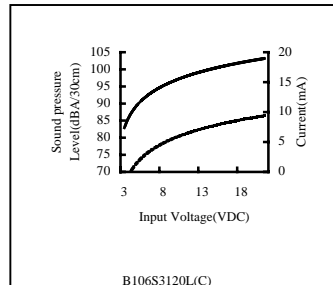
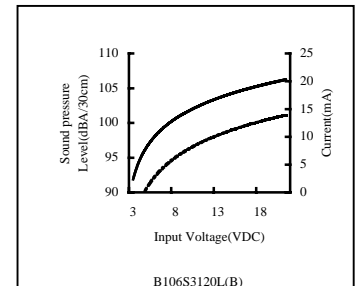
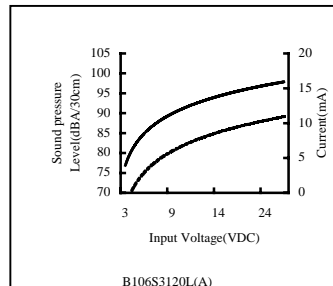
### FEATURES:

- Loud sound output
- Ultra small size and lightweight
- Low current consumption
- Extremely durable & long life
- Operating temperature  $-20^{\circ}\text{C}$ --- $+70^{\circ}\text{C}$
- Storage temperature  $-30^{\circ}\text{C}$ --- $+70^{\circ}\text{C}$

### DIMENSIONS: (unit: mm)



### CHARACTERISTICS:



Remark: \_\_\_\_\_ Pressure level    ----- Current

### SPECIFICATIONS:

Model No.	Operating Voltage (VDC)	Rated Voltage (VDC)	Max.Current at Rated Voltage (mA)	Frequency (kHz)	Min. Sound Pressure at Rated Voltage (dBA/30cm)	Pulse Rate at Rated Voltage (Pulse/Sec)	Tone	Terminal
B106S3120(A)	3-28	12	7	2.8±0.5	90	NIL	SINGLE	LEAD
B106S3120(B)	3-20	12	10	2.8±0.5	100	NIL	SINGLE	LEAD
B106S3120(C)	3-20	12	10	2.8±0.5	90	NIL	SINGLE	LEAD
B106PF3120	3-20	12	10	2.8±0.5	96	1-2	PULSE	LEAD
B106PN3120	3-20	12	10	2.8±0.5	96	2-7	PULSE	LEAD