

ECHO-PIEZO BUZZER

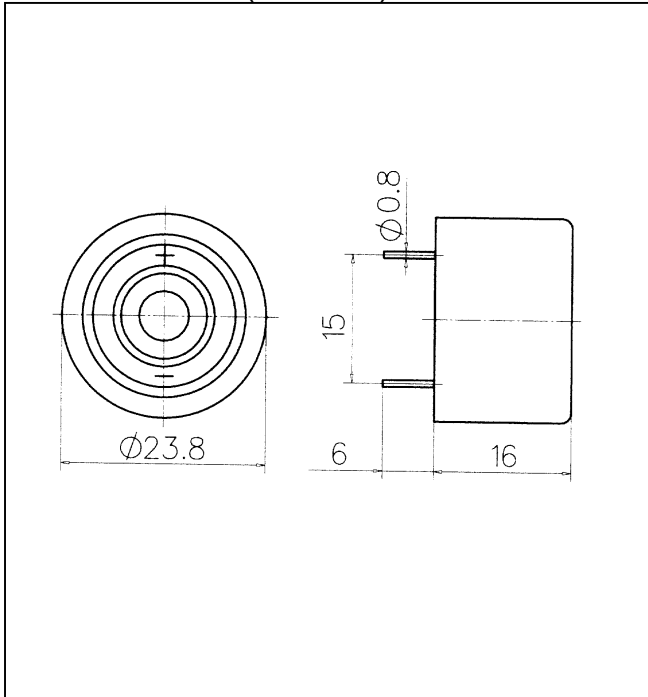
B107 SERIES



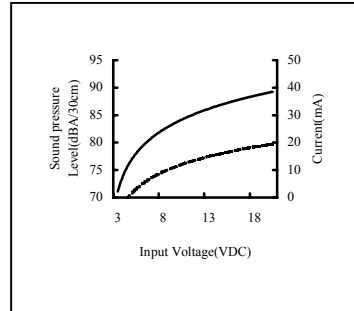
FEATURES:

- Loud sound output
- Ultra small size and lightweight
- Low current consumption
- Extremely durable & long life
- Operating temperature -20°C -- $+70^{\circ}\text{C}$
- Storage temperature -30°C -- $+70^{\circ}\text{C}$

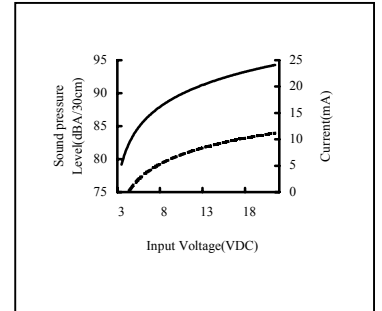
DIMENSIONS: (unit: mm)



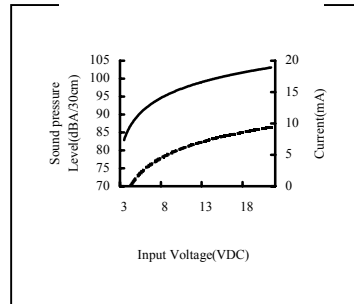
CHARACTERISTICS:



B107S3120P(A)



B107S3120P(B)



B107S3120P(C)

Remark: _____ Pressure level ----- Current

SPECIFICATIONS:

Model No.	Operating Voltage (VDC)	Rated Voltage (VDC)	Max.Current at Rated Voltage (mA)	Frequency (kHz)	Min. Sound Pressure at Rated Voltage (dBA/30cm)	Pulse Rate at Rated Voltage (Pulse/Sec)	Tone	Terminal
B107S3120(A)	3-20	12	8	2.8±0.5	85	NIL	SINGLE	PIN
B107S3120(B)	3-20	12	8	2.8±0.5	85	NIL	SINGLE	PIN
B107S3120(C)	3-20	12	10	2.8±0.5	90	NIL	SINGLE	PIN

