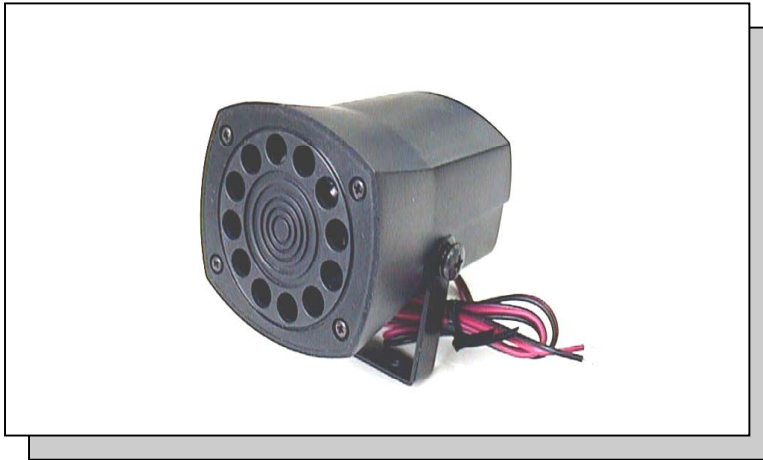


ECHO-PIEZO BUZZER

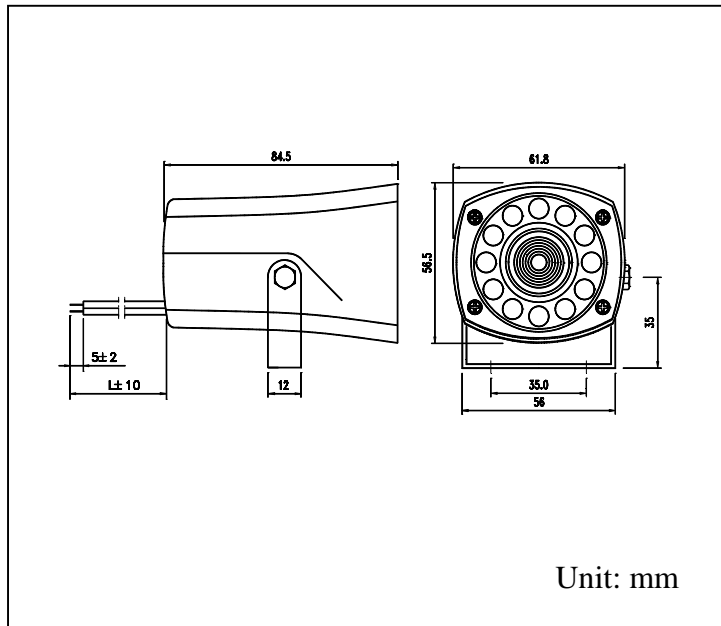
ESB8 SERIES



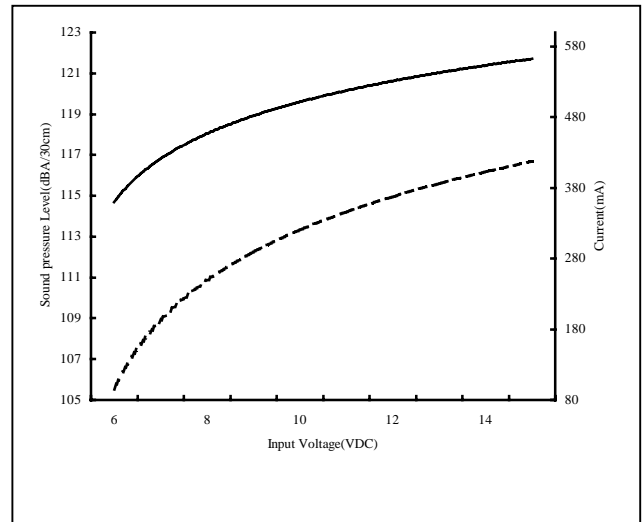
FEATURES:

- Loud sound output
- Screw mounting with leadwire terminals
- Completely weatherproof
- Compatible with most alarm systems
- Operating temperature -20°C --- $+70^{\circ}\text{C}$
- Storage temperature -30°C --- $+70^{\circ}\text{C}$

DIMENSIONS:



CHARACTERISTICS:



Remark: ——— Pressure level ----- Current

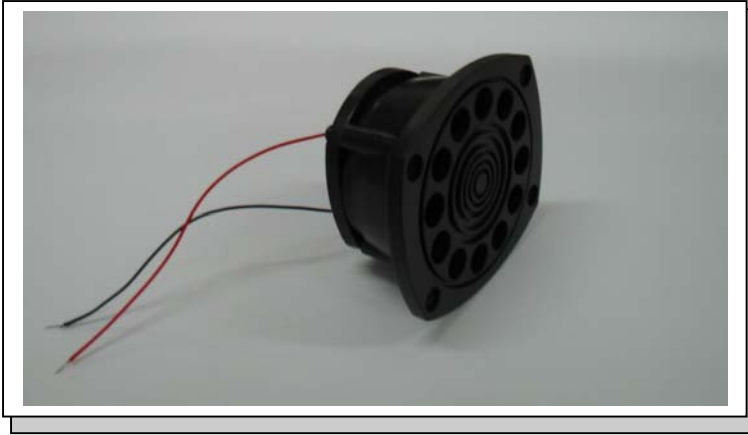
L=550mm,standard (changes as your request)

SPECIFICATIONS:

Model No.	Operating Voltage (VDC)	Rated Voltage (VDC)	Max. Current at Rated Voltage (mA)	Frequency (kHz)	Min. Sound Pressure at Rated Voltage (dBA/30cm)	Pulse Rate at Rated Voltage (Pulse/Sec)	Tone	Terminal
ESB8R3120	6-15	12	420	3.0±0.5	120	NIL	SIREN	LEAD
ESB8R3120(CE)	6-15	12	420	3.0±0.5	120	NIL	SIREN	LEAD

ECHO-PIEZO BUZZER

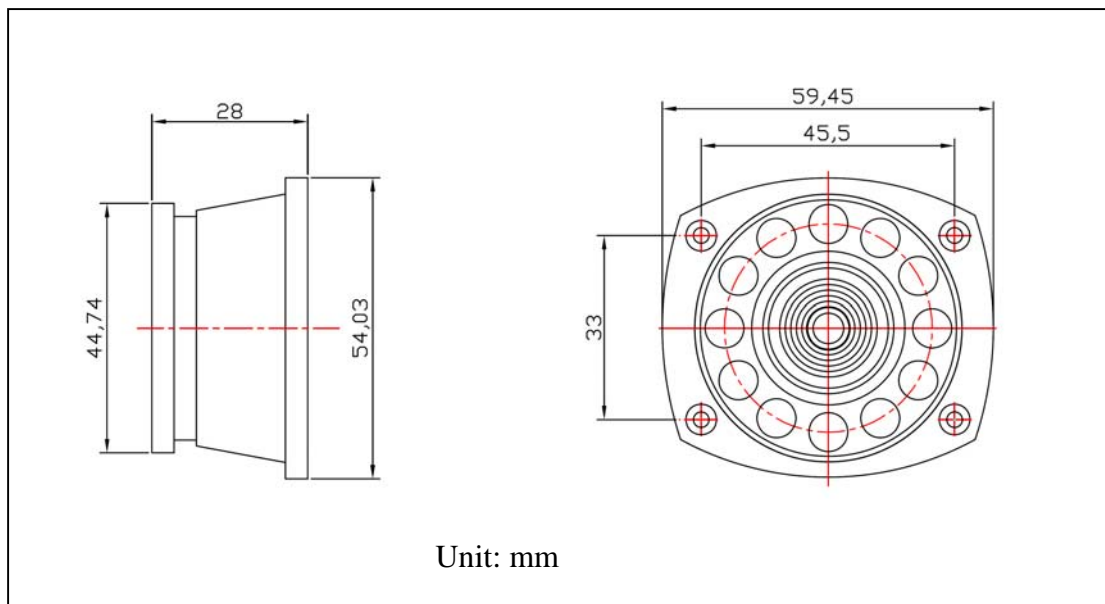
ESB8 SERIES



FEATURES:

- Loud sound output
- Screw mounting with leadwire terminals
- Completely weatherproof
- Compatible with most alarm systems
- Operating temperature -20°C --- $+70^{\circ}\text{C}$
- Storage temperature -30°C --- $+70^{\circ}\text{C}$

DIMENSIONS:



SPECIFICATIONS:

Model No.	Min. Sound Pressure Level (dBA/30cm)	Capacitance (pF)	Input Voltage (Vp-p)	Max. Current Consumption (mA)	Max. Input Voltage (Vp-p)	Resonant Frequency (Hz)
ESB8NBC	100	25000 \pm 20%	12	4	30	3300