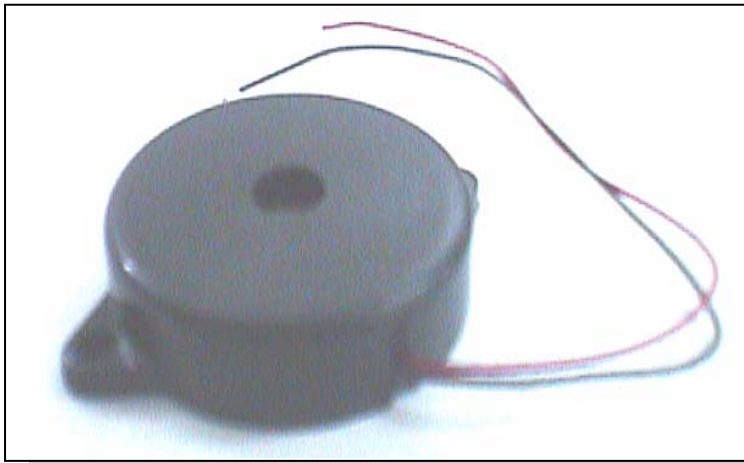


ECHO-PIEZO TRANSDUCER

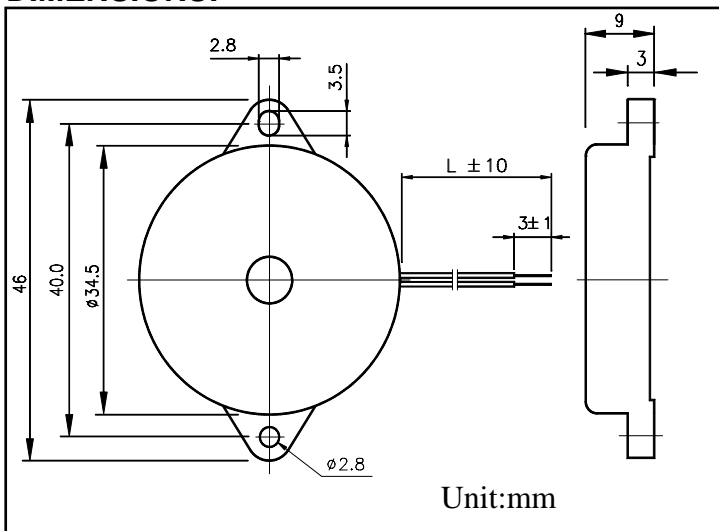
B34 SERIES



FEATURES:

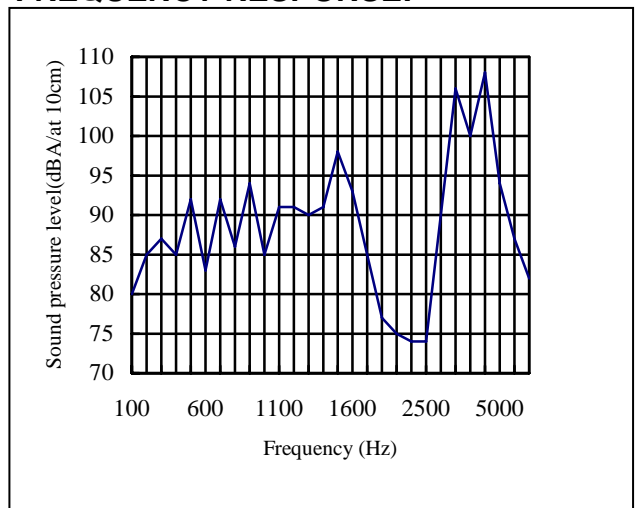
- Emit a clear penetrating sound
- Low current consumption
- Can be driven directly by IC's
- Extremely thin and lightweight
- Low frequency and multi-frequency capability
- Extremely durable and Long life
- Operating temperature -20°C ~ $+70^{\circ}\text{C}$
- Storage temperature -30°C ~ $+70^{\circ}\text{C}$

DIMENSIONS:



Remark: L=150mm

FREQUENCY RESPONSE:

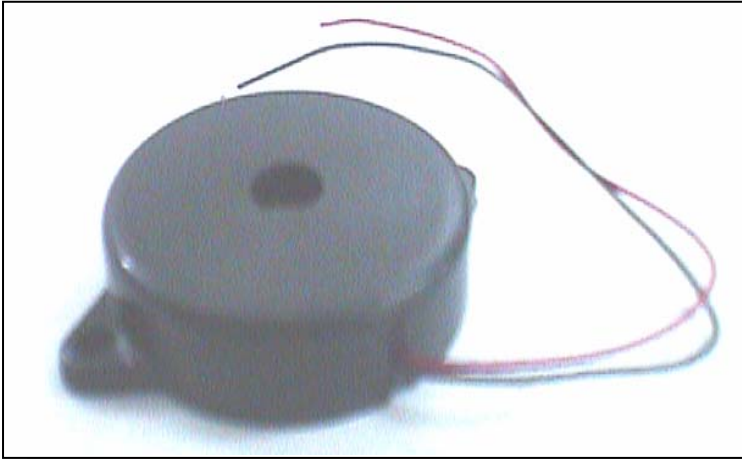


SPECIFICATIONS:

Model Number	B34TR-12
Sound Pressure Level	85dBA Min. at 10cm
Static Capacitance	43,000pF±30% at 1kHz
Input Voltage	9Vp-p, 1.1KHz, Square wave
Max. Input Voltage	30Vp-p
Current Consumption	2mA Max.
Operating Temperature	-20°C ~ $+70^{\circ}\text{C}$
Storage Temperature	-30°C ~ $+70^{\circ}\text{C}$
Weight	5g
Wire specification	UL1007,AWG30#,BLACK /RED

ECHO-PIEZO TRANSDUCER

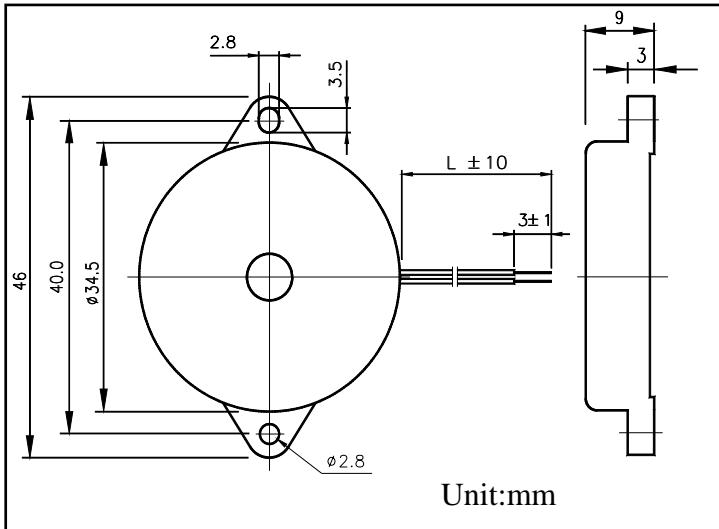
B34 SERIES



FEATURES:

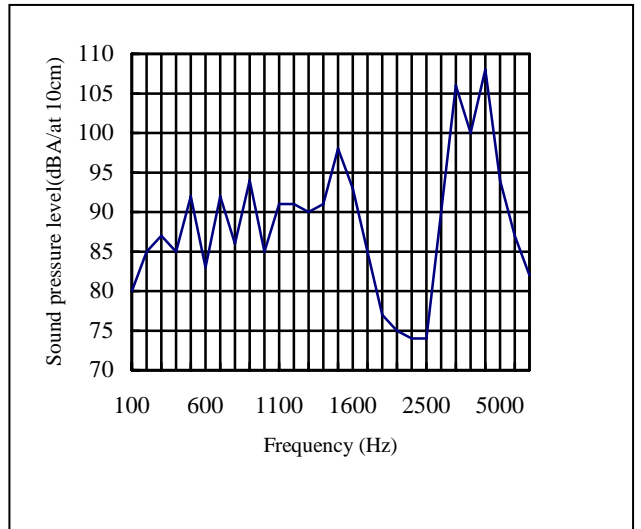
- Emit a clear penetrating sound
- Low current consumption
- Can be driven directly by IC's
- Extremely thin and lightweight
- Low frequency and multi-frequency capability
- Extremely durable and Long life
- Operating temperature -20°C ~ $+70^{\circ}\text{C}$
- Storage temperature -30°C ~ $+70^{\circ}\text{C}$

DIMENSIONS:



Remark: L=100mm , standard(changes as your request)

FREQUENCY RESPONSE:



SPECIFICATIONS:

Model Number	B34TR-L
Sound Pressure Level	85dBA Min. at 20cm
Static Capacitance	43,000pF \pm 30% at 1kHz
Input Voltage	9Vp-p, 1.1KHz, Square wave
Max. Input Voltage	30Vp-p
Current Consumption	2mA Max.
Operating Temperature	-20°C ~ $+70^{\circ}\text{C}$
Storage Temperature	-30°C ~ $+70^{\circ}\text{C}$
Weight	5g

ECHO-PIEZO TRANSDUCER

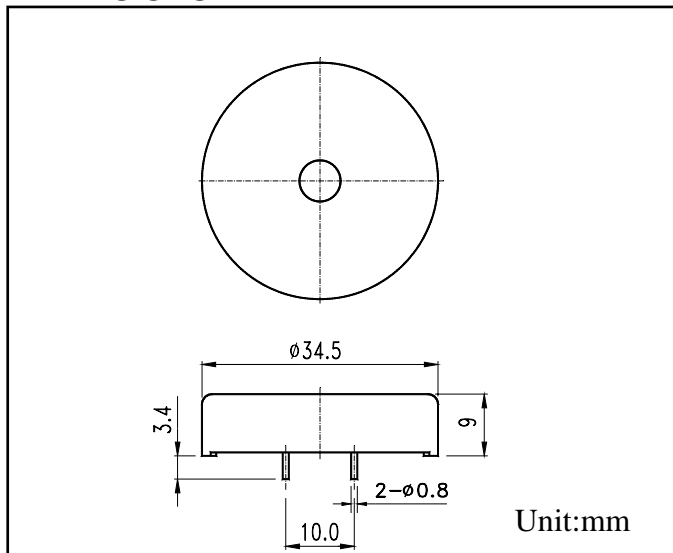
B34 SERIES



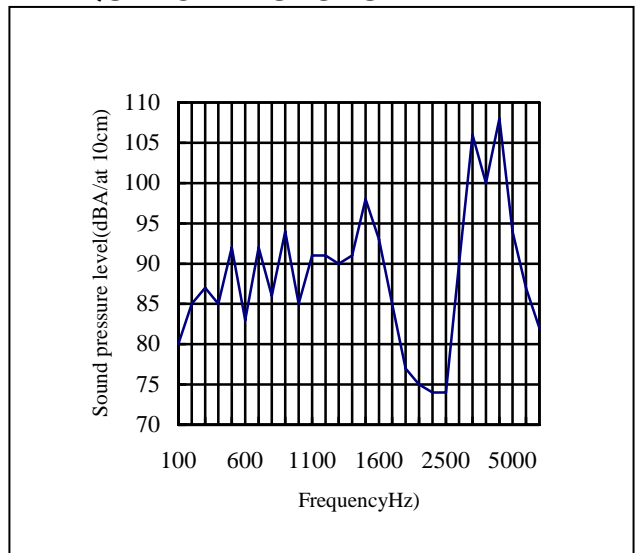
FEATURES:

- Emit a clear penetrating sound
- Low current consumption
- Can be driven directly by ICs
- Extremely thin and light weight
- Low frequency and multi-frequency capability
- Extremely durable and long life
- Operating temperature -20°C --- $+70^{\circ}\text{C}$
- Storage temperature -30°C --- $+70^{\circ}\text{C}$

DIMENSIONS:



FREQUENCY RESPONSE:



SPECIFICATIONS:

Model Number	B34TR-IP
Sound Pressure Level	85dBA Min. at 20cm
Static Capacitance	43,000pF \pm 30% at 1kHz
Input Voltage	9Vp-p, 1.1KHz, Square wave
Max. Input Voltage	30Vp-p
Current Consumption	2mA Max.
Operating Temperature	-20°C ~ $+70^{\circ}\text{C}$
Storage Temperature	-30°C ~ $+70^{\circ}\text{C}$
Weight	5g