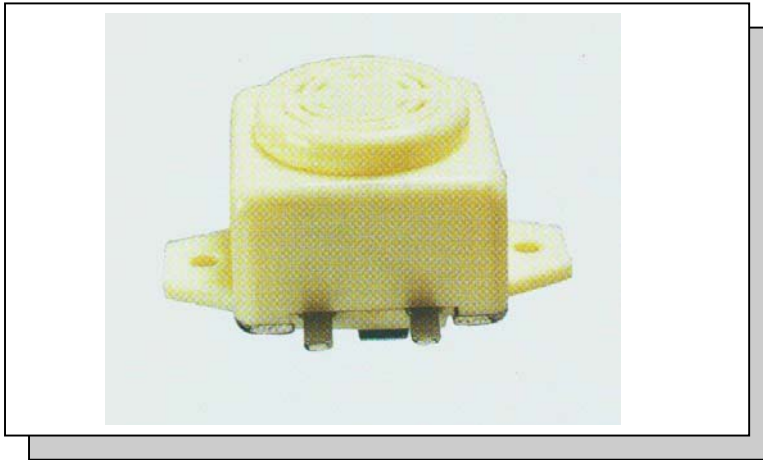


ECHO-MAGNETIC BUZZER

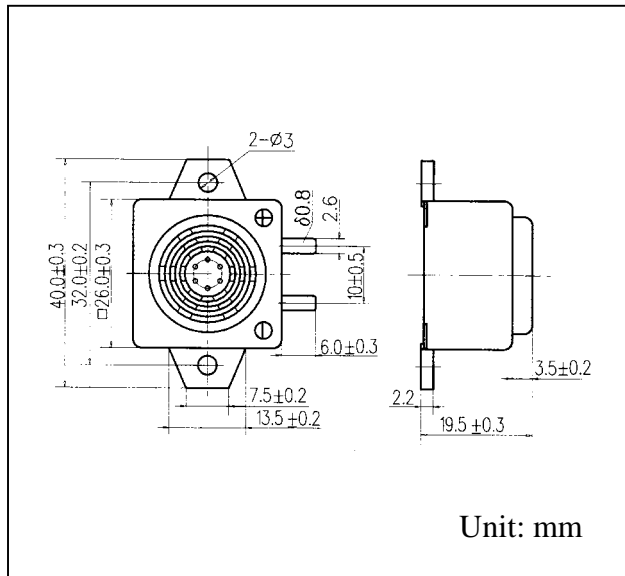
B66 SERIES



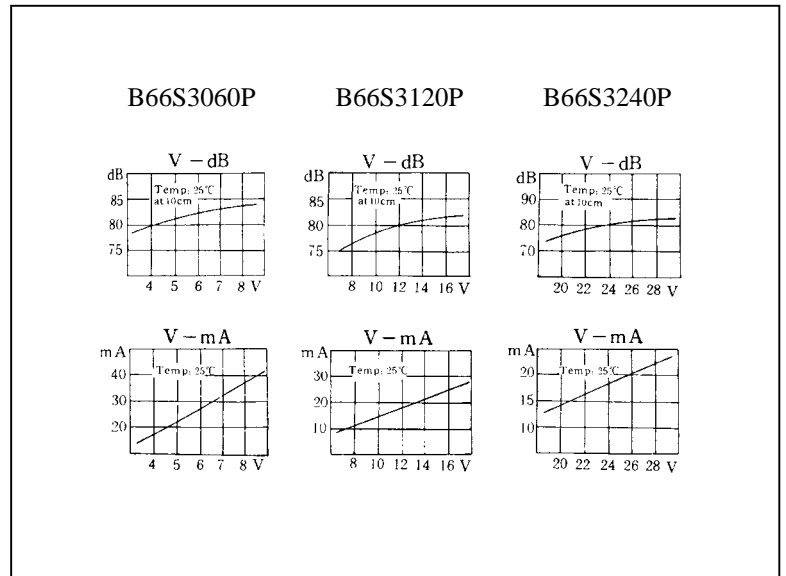
FEATURES:

- Ultra small size
- Low current consumption
- Extremely durable
- Long life
- Operating temperature -20°C --- $+70^{\circ}\text{C}$
- Storage temperature -30°C --- $+70^{\circ}\text{C}$

DIMENSIONS:



CHARACTERISTICS:



SPECIFICATIONS:

Model No.	Operating Voltage (VDC)	Rated Voltage (VDC)	Max. Current at Rated Voltage (mA)	Max. Response Time(ms)	Min. Sound Pressure at Rated Voltage (dBA/10cm)	Pulse Rate at Rated Voltage (Pulse/Sec)	Tone	Terminal
B66S3060P	4-8	6	35	400	95	NIL	SINGLE	PIN
B66S3120P	8-16	12	35	400	95	NIL	SINGLE	PIN
B66S3240P	20-28	24	35	400	95	NIL	SINGLE	PIN