

# ECHO-MAGNETIC BUZZER

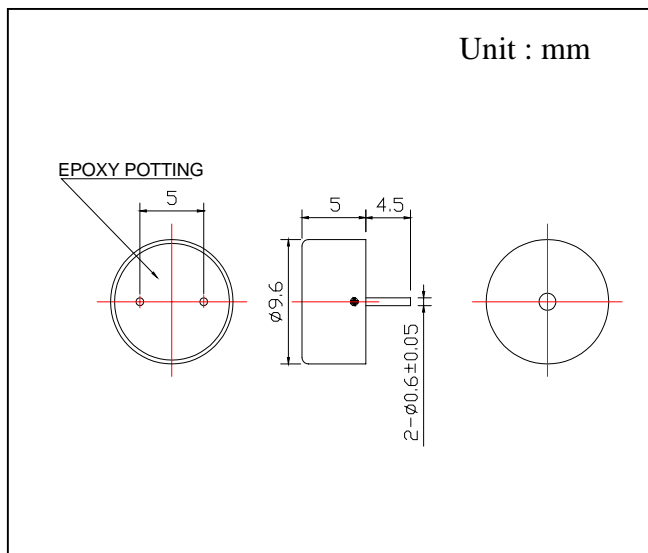
B147 SERIES



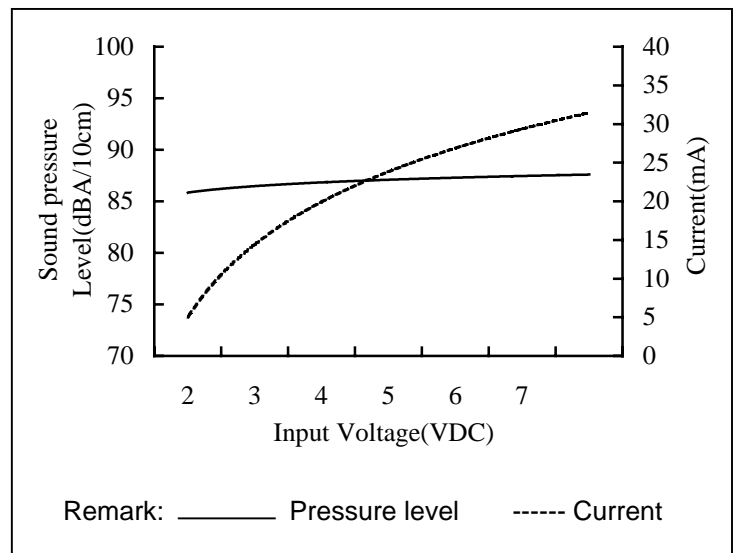
## FEATURES:

- Ultra small size
- Low current consumption
- Extremely durable
- Long life
- Operating temperature  $-20^{\circ}\text{C}$ --- $+70^{\circ}\text{C}$
- Storage temperature  $-30^{\circ}\text{C}$ --- $+80^{\circ}\text{C}$

## DIMENSIONS:



## CHARACTERISTICS:



## SPECIFICATIONS:

Model No.	Operating Voltage (VDC)	Rated Voltage (VDC)	Max. Current at Rated Voltage (mA)	Frequency (Hz)	Min. Sound Pressure at Rated Voltage (dBA/10cm)	Pulse Rate at Rated Voltage (Pulse/Sec)	Tone	Terminal
B147S3050P	3-7	5	30	2700±200	80	NIL	SINGLE	PIN