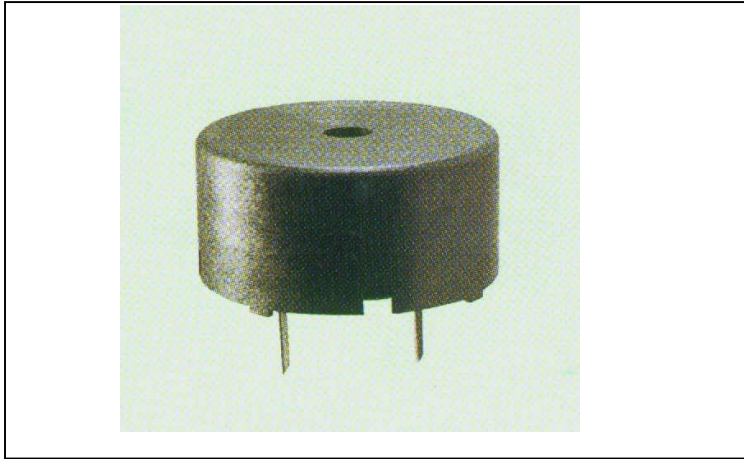


ECHO-PIEZO TRANSDUCER

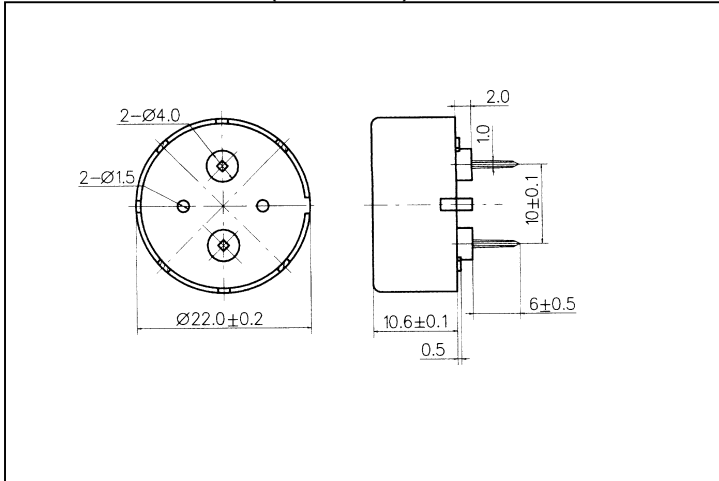
B75 SERIES



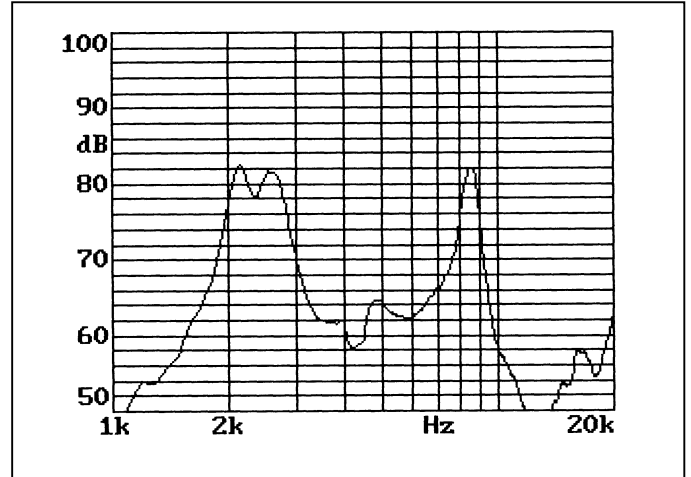
FEATURES:

- Emit a clear penetrating sound
- Ultra small size and lightweight
- Low current consumption
- Extremely durable & long life
- Operating temperature -20°C -- $+70^{\circ}\text{C}$
- Storage temperature -30°C -- $+70^{\circ}\text{C}$

DIMENSIONS: (unit: mm)



FREQUENCY RESPONSE:



SPECIFICATIONS:

Model Number	B75B02P
Sound Pressure Level	75dBA Min. at 10cm
Static Capacitance	19,000pF \pm 30%
Input Voltage	3Vp-p, 2KHz, Square wave
Max. Input Voltage	30Vp-p
Current Consumption	1mA Max.
Operating Temperature	-20°C ~ $+85^{\circ}\text{C}$
Storage Temperature	-30°C ~ $+90^{\circ}\text{C}$
Weight	3g