

# ECHO-PIEZO TRANSDUCER

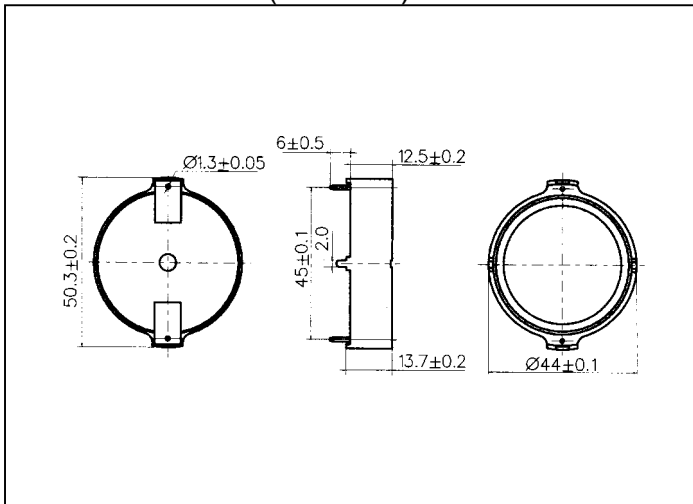
B82 SERIES



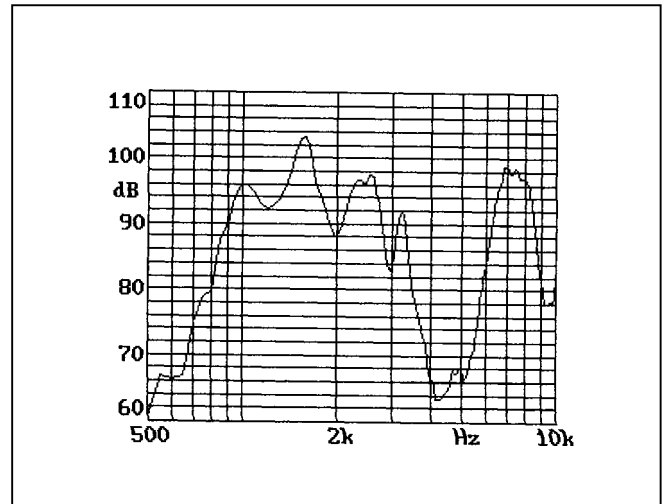
## FEATURES:

- Emit a clear penetrating sound
- Ultra small size and lightweight
- Low current consumption
- Extremely durable & long life
- Operating temperature  $-40^{\circ}\text{C}$ ~ $+60^{\circ}\text{C}$
- Storage temperature  $-30^{\circ}\text{C}$ ~ $+70^{\circ}\text{C}$

## DIMENSIONS: (unit: mm)



## FREQUENCY RESPONSE:



## SPECIFICATIONS:

Model Number	B82B01P
Operating Voltage	1~30 $V_{p-p}$
Resonant Frequency	1000Hz $\pm 300$
Sound Pressure Level	$\geq 85\text{dB}$ at 1KHz/ $10V_{p-p}$ Square Wave /10cm
Static Capacitance	80,000pF $\pm 30\%$ at 120Hz
Current Consumption	4mA Max.
Operating Temperature	$-40^{\circ}\text{C}$ ~ $+60^{\circ}\text{C}$
Storage Temperature	$-30^{\circ}\text{C}$ ~ $+70^{\circ}\text{C}$
Weight	12g