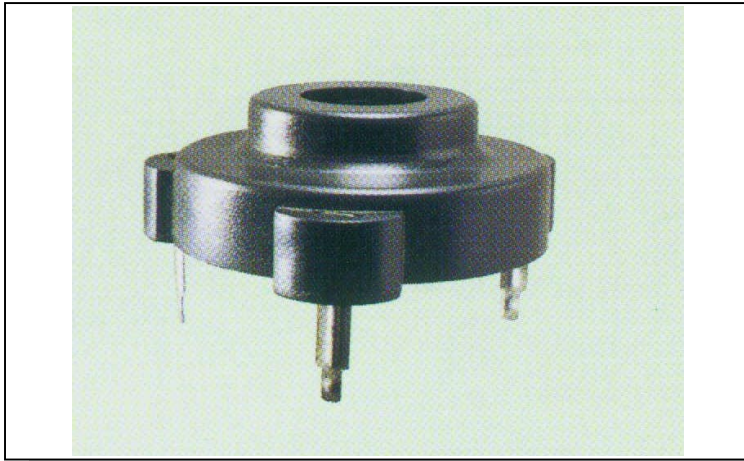


# ECHO-PIEZO TRANSDUCER

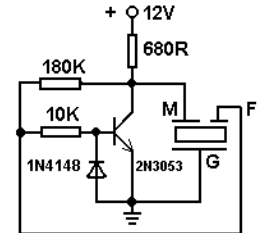
**B95 SERIES**



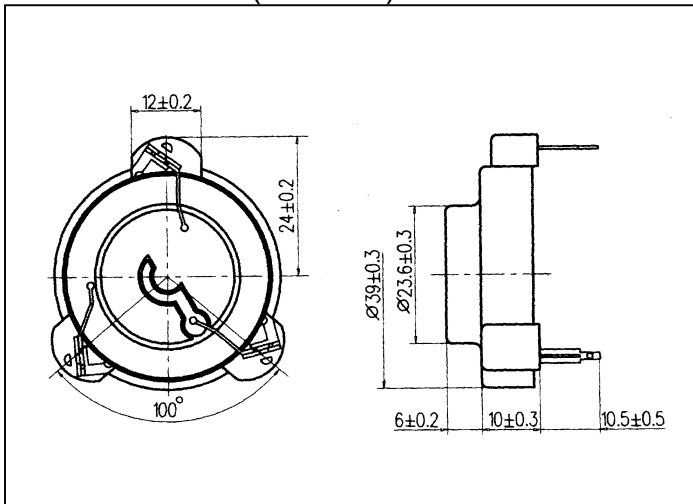
## FEATURES:

- Feed-back type
- Emit a clear penetrating sound
- Low current consumption
- Extremely durable & long life
- Loud sound output
- Operating temperature  $-20^{\circ}\text{C}$ ~ $+70^{\circ}\text{C}$
- Storage temperature  $-30^{\circ}\text{C}$ ~ $+70^{\circ}\text{C}$

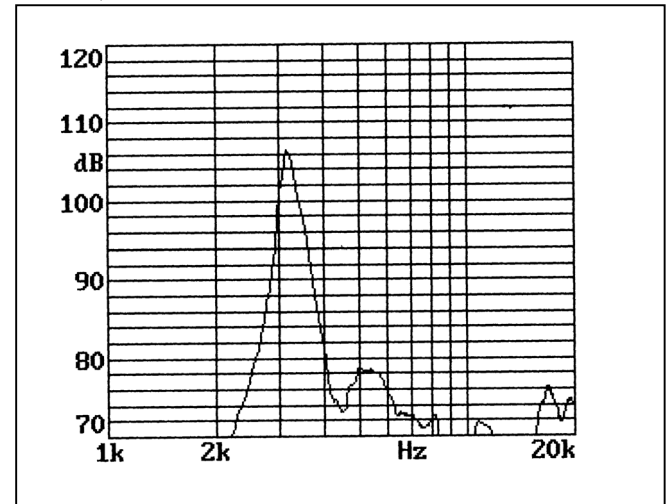
## TEST CIRCUIT



## DIMENSIONS: (unit: mm)



## FREQUENCY RESPONSE:



## SPECIFICATIONS:

|                       |                                               |
|-----------------------|-----------------------------------------------|
| Model Number          | B95B03P                                       |
| Sound Pressure Level  | 105dBA Min. at 10cm                           |
| Static Capacitance    | 25,000pF±30% at 120Hz                         |
| Resonant Frequency    | 3.2±0.5KHz                                    |
| Input Voltage         | 12VDC                                         |
| Max. Input Voltage    | 20VDC                                         |
| Current Consumption   | 10mA Max.                                     |
| Operating Temperature | $-10^{\circ}\text{C}$ ~ $+60^{\circ}\text{C}$ |
| Storage Temperature   | $-20^{\circ}\text{C}$ ~ $+70^{\circ}\text{C}$ |
| Weight                | 8g                                            |

