

ECHO-PIEZO TRANSDUCER

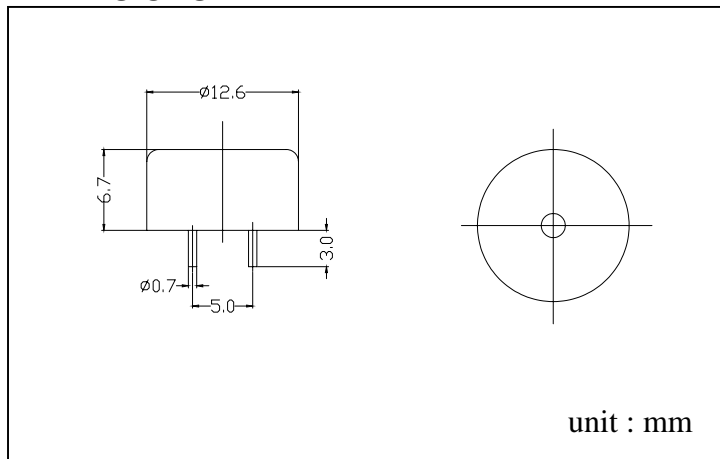
B148 SERIES



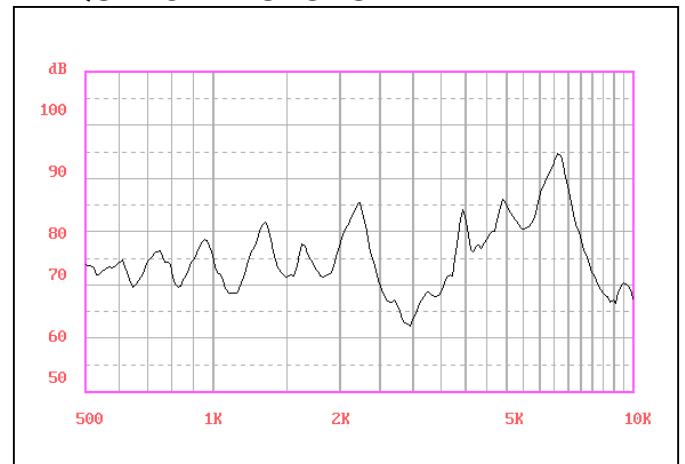
FEATURES:

- Ultra small size
- Low current consumption
- Extremely durable
- Long life
- Operating temperature -20°C ~ $+70^{\circ}\text{C}$
- Storage temperature -30°C ~ $+70^{\circ}\text{C}$

DIMENSIONS:



FREQUENCY RESPONSE:



SPECIFICATIONS:

Model Number	B148B04P
Sound Pressure Level	70dBA Min. at 10cm
Static Capacitance	12,000pF \pm 30%
Input Voltage	3V p-p, 4KHz, Square wave
Max. Input Voltage	30Vp-p
Current Consumption	2mA
Operating Temperature	-20°C ~ $+70^{\circ}\text{C}$
Storage Temperature	-30°C ~ $+80^{\circ}\text{C}$
Weight	1g