

ECHO-PIEZO TRANSDUCER

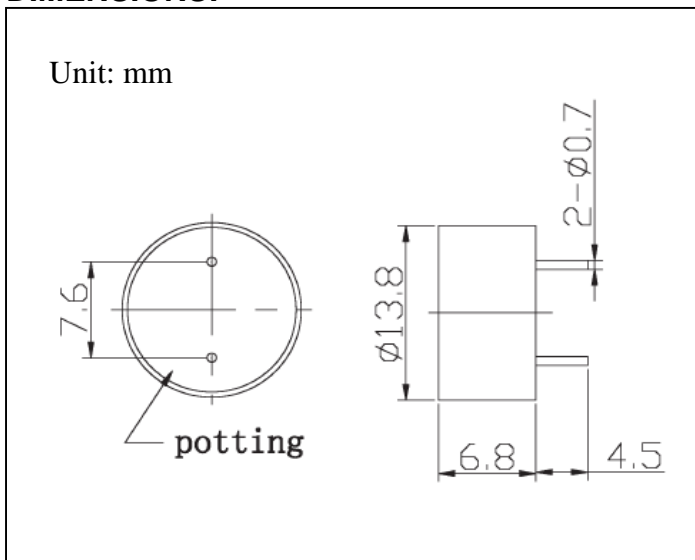
B163B04P SERIES



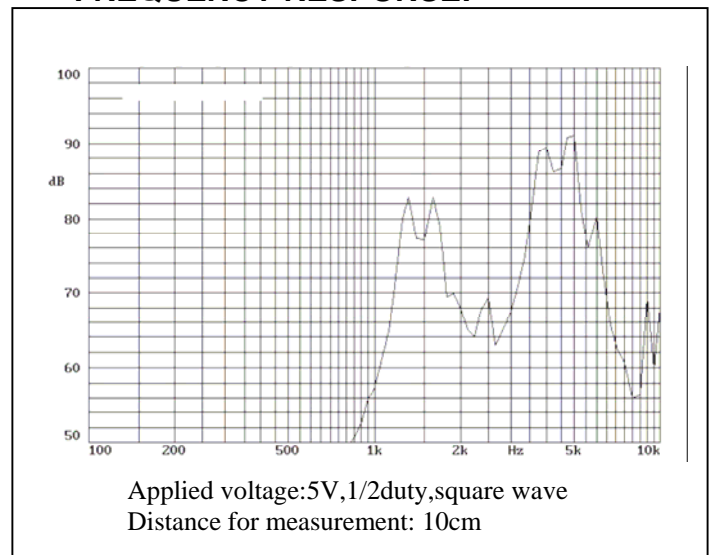
FEATURES:

- Emit a clear sound
- Small size & lightweight
- No electric noise
- Operating temperature -20°C ~ $+70^{\circ}\text{C}$
- Storage temperature -40°C ~ $+80^{\circ}\text{C}$

DIMENSIONS:



FREQUENCY RESPONSE:



Model Number	B163B04P
Rated Voltage (V)	5
Operating Voltage (V)	1-30
◆Max. Rated Current (mA)	3.0
◆Min. Sound Output at 10cm (dB)	80
Resonant Frequency (Hz)	4000±500
Capacitance at 1KHz (pF)	10000±30%
Operating Temperature (°C)	-20~+70
Storage Temperature (°C)	-40~+80
Weight (g)	1

◆Value applying rated voltage (4KHz, 1/2 duty, square wave)