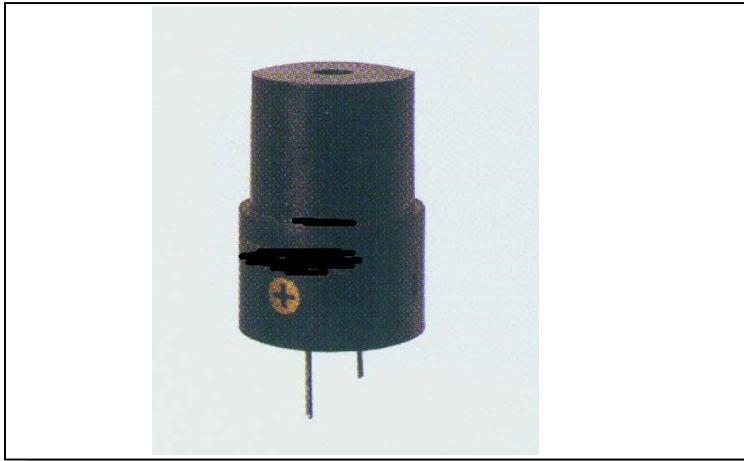


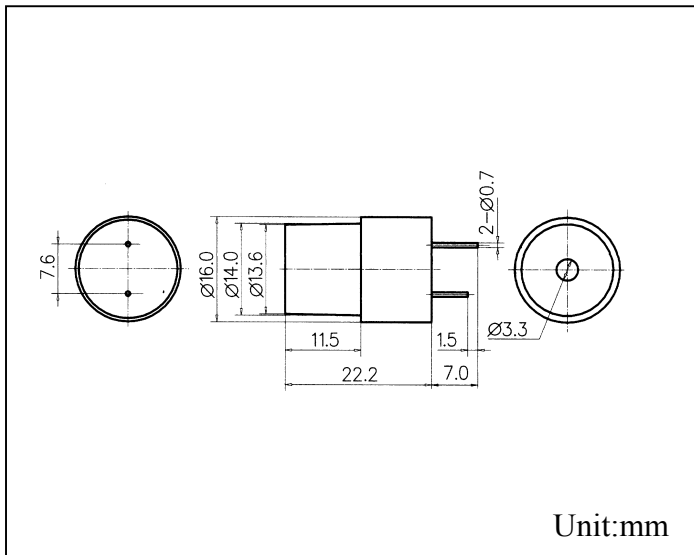
ECHO-MAGNETIC TRANSDUCER MT1622 SERIES



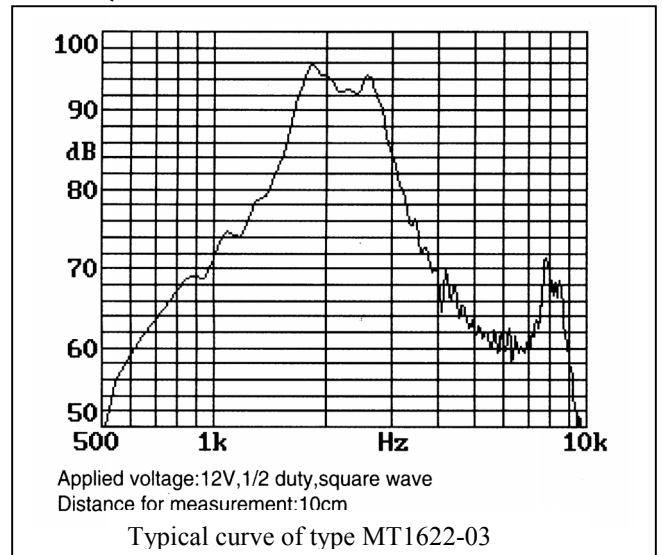
FEATURES:

- Emit a clear sound
- Small size & lightweight
- No electric noise
- Operating temperature -20°C ~ $+70^{\circ}\text{C}$
- Storage temperature -30°C ~ $+70^{\circ}\text{C}$

DIMENSIONS:



FREQUENCY RESPONSE:



SPECIFICATIONS:

Model Number	MT1622-01	MT1622-02	MT1622-03
Rated Voltage (V)	1.5	6	12
Operating Voltage (V)	1~2	3~12	6~18
◆Max. Rated Current (mA)	12	40	
Coil Resistance (Ω)	27 \pm 3	50 \pm 5	115 \pm 12
◆Min. Sound Output at 10cm (dB)	80	85	
Resonant Frequency (Hz)	2048	1850~2500(80dB Min.)	
Operating Temperature ($^{\circ}\text{C}$)	-25~+70		
Storage Temperature ($^{\circ}\text{C}$)	-30~+85		
Weight (g)	7		

◆Value applying rated voltage (resonant frequency, 1/2 duty, square wave)