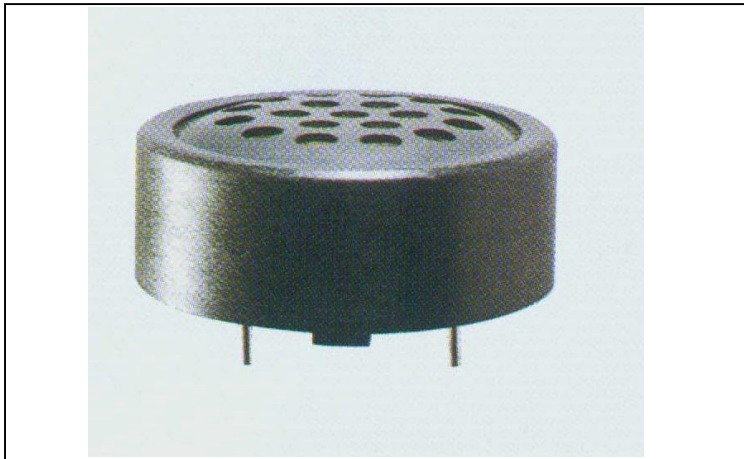


# ECHO-DYNAMIC TRANSDUCER

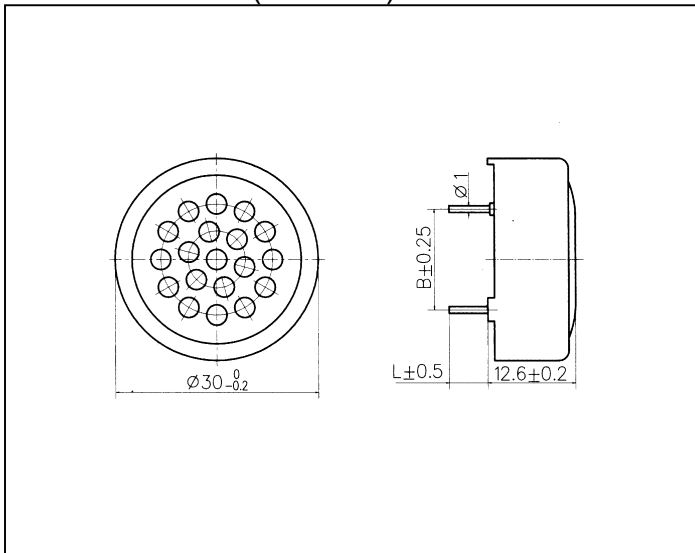
DT3012 SERIES



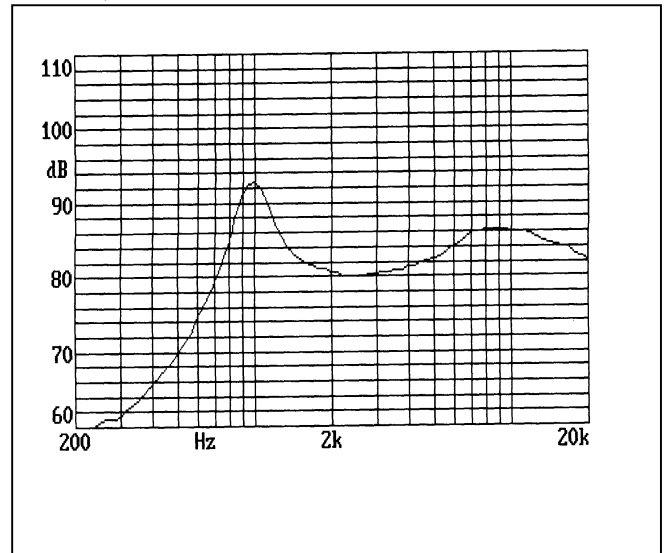
## FEATURES:

- Small size & lightweight
- Wide range of frequency
- High sensitivity
- Long life
- Operating temperature  $-20^{\circ}\text{C}$ -- $+70^{\circ}\text{C}$
- Storage temperature  $-30^{\circ}\text{C}$ -- $+70^{\circ}\text{C}$

## DIMENSIONS: (unit: mm)



## FREQUENCY RESPONSE:



## SPECIFICATIONS:

Model Number	DT3012-01	DT3012-02	DT3012-03	DT3012-04
Rated Impedance	$100 \pm 15\% \Omega$	$8 \pm 15\% \Omega$	$32 \pm 15\% \Omega$	$16 \pm 15\% \Omega$
Max. Rated Power	0.15(0.2) W			
Resonance Frequency	1000 $\pm$ 20% Hz			
Rated Frequency Range	700~5000 Hz			
Sound Output at 10cm/1.5KHz	81dB Min.			
Operating Temperature	$-20^{\circ}\text{C} \sim +85^{\circ}\text{C}$			
Storage Temperature	$-40^{\circ}\text{C} \sim +90^{\circ}\text{C}$			
Weight	10g			