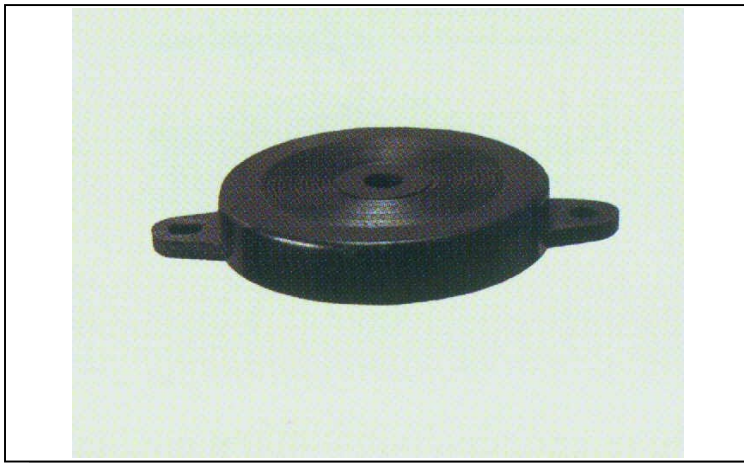


ECHO-PIEZO TRANSDUCER

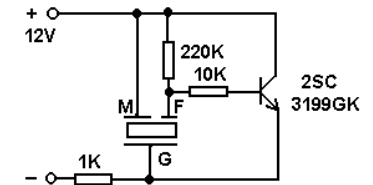
B88 SERIES



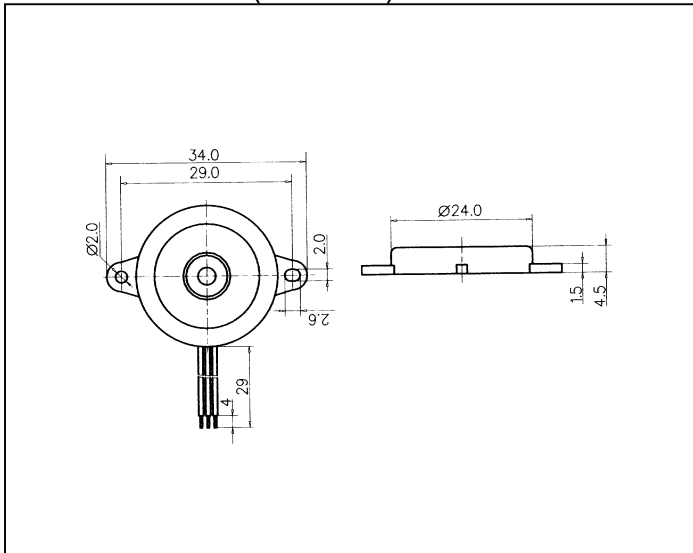
FEATURES:

- Feed-back type
- Ultra small size and lightweight
- Low current consumption
- Extremely durable & long life
- Operating temperature -20°C ~ $+70^{\circ}\text{C}$
- Storage temperature -30°C ~ $+70^{\circ}\text{C}$

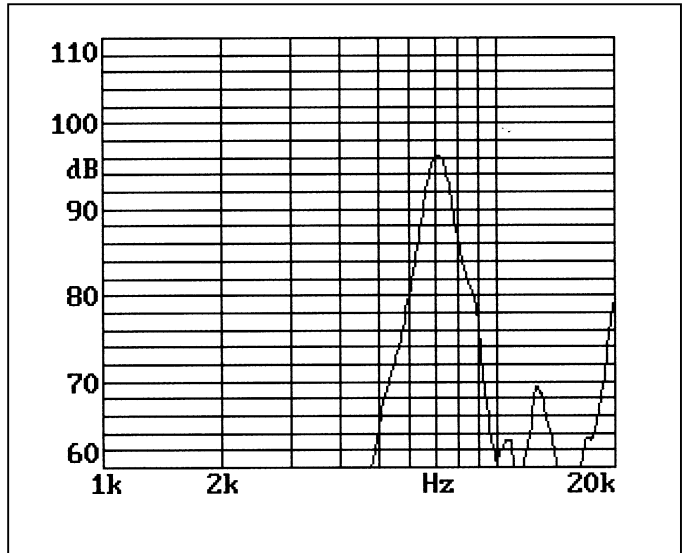
TEST CIRCUIT



DIMENSIONS: (unit: mm)



FREQUENCY RESPONSE:



SPECIFICATIONS:

| | |
|-----------------------|---|
| Model Number | B88B06L |
| Sound Pressure Level | 85dBA Min. at 10cm |
| Static Capacitance | 12,000pF \pm 30% at 120Hz |
| Resonant Frequency | 6.5 \pm 0.5KHz |
| Input Voltage | 12VDC |
| Max. Input Voltage | 20VDC |
| Current Consumption | 10mA Max. |
| Operating Temperature | -20°C ~ $+70^{\circ}\text{C}$ |
| Storage Temperature | -30°C ~ $+80^{\circ}\text{C}$ |
| Weight | 1g |