

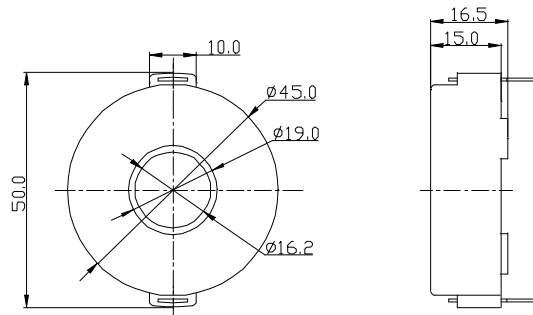
ECHO-PIEZO TRANSDUCER

B128 SERIES



FEATURES:

- Emit a clear penetrating sound
- Ultra small size and lightweight
- Low current consumption
- Extremely durable & long life
- Operating temperature -20°C ~ $+70^{\circ}\text{C}$
- Storage temperature -30°C ~ $+70^{\circ}\text{C}$



SPECIFICATIONS:

Model Number	
Sound Pressure Level	100dBA Min. at 50cm
Static Capacitance	120,000pF \pm 30% at 1KHz
Input Voltage	12Vp-p, 3KHz, Sine wave
Max. Input Voltage	30Vp-p
Current Consumption	15mA Max.
Operating Temperature	-20°C ~ $+70^{\circ}\text{C}$
Storage Temperature	-30°C ~ $+70^{\circ}\text{C}$
Weight	10g