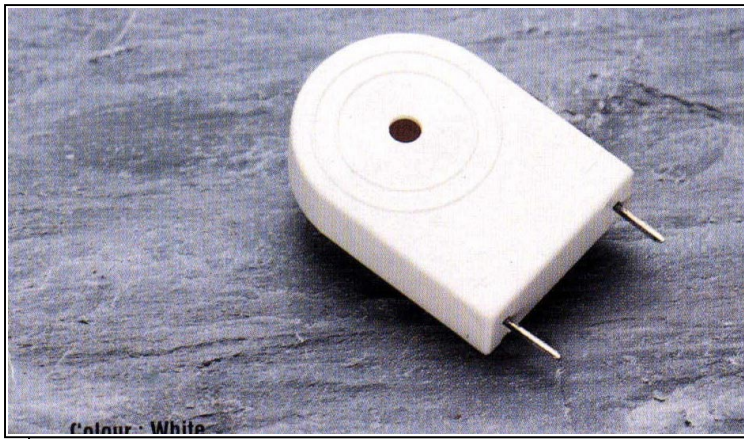


ECHO-PIEZO BUZZER

B6 SERIES

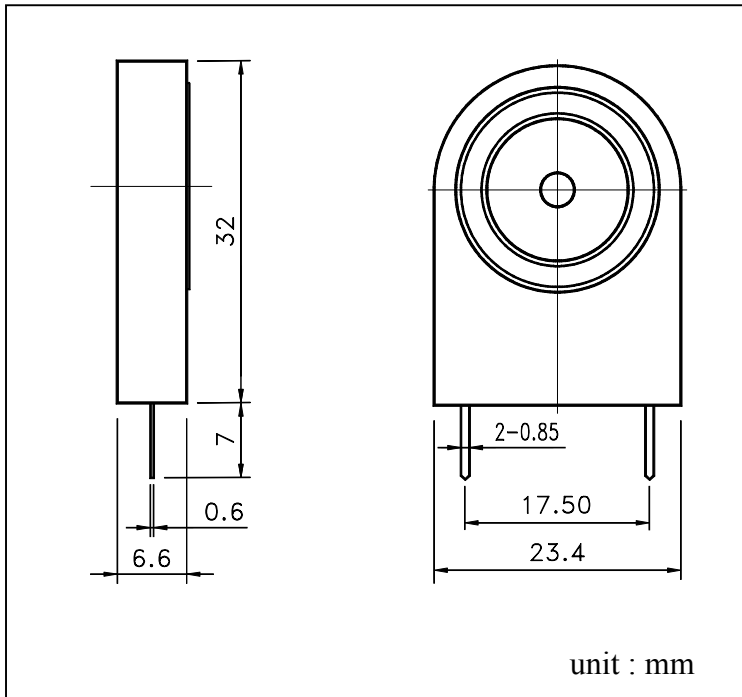


Colour - White

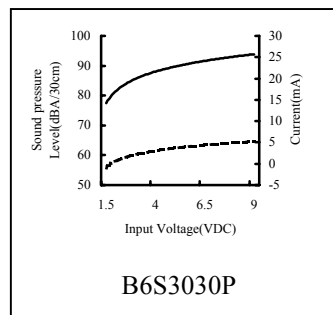
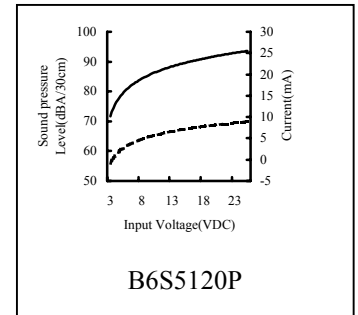
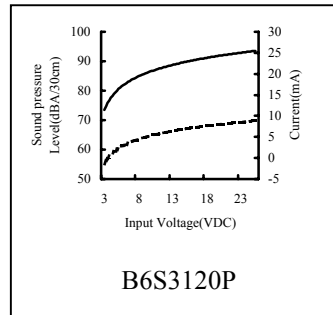
FEATURES:

- Super thin
- Medium to loud sound output
- Low current consumption
- Extremely durable
- Long life
- PCB mounting
- Operating temperature -20°C -- $+70^{\circ}\text{C}$
- Storage temperature -30°C -- $+70^{\circ}\text{C}$

DIMENSIONS:



CHARACTERISTICS:



Remark: ——— Pressure level - - - - - Current

SPECIFICATIONS:

Model No.	Operating Voltage (VDC)	Rated Voltage (VDC)	Max. Current at Rated Voltage (mA)	Frequency (kHz)	Min. Sound Pressure at Rated Voltage (dBA/30cm)	Pulse Rate at Rated Voltage (Pulse/Sec)	Tone	Terminal
B6S3120P	3-18	12	6	3.6 ± 0.5	85	NIL	SINGLE	LEAD/PIN
B6S5120P	3-18	12	8	5.8 ± 0.5	85	NIL	SINGLE	LEAD/PIN
B6S3030P	1.5-9	3	6	4.0 ± 0.5	85	NIL	SINGLE	LEAD/PIN