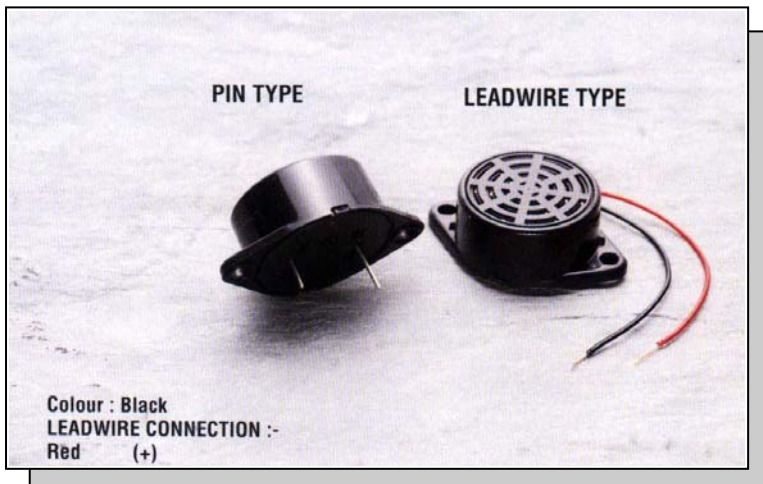


ECHO-MAGNETIC BUZZER

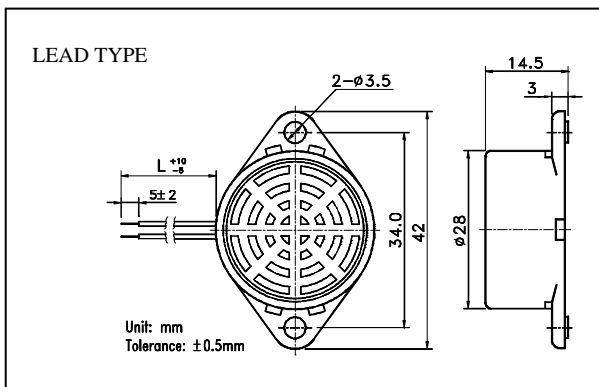
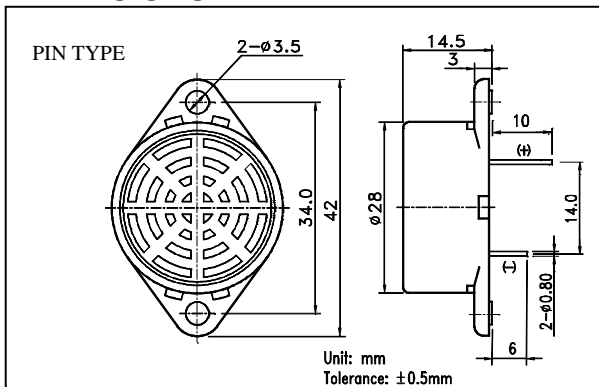
B1



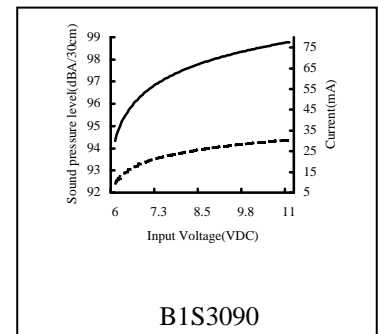
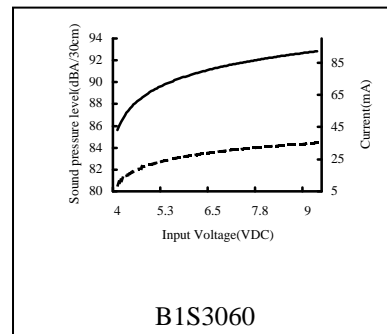
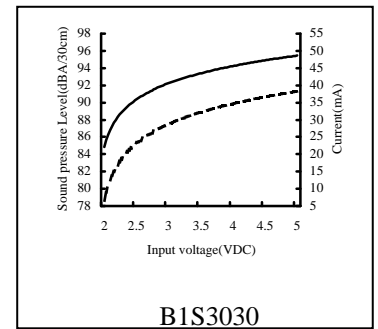
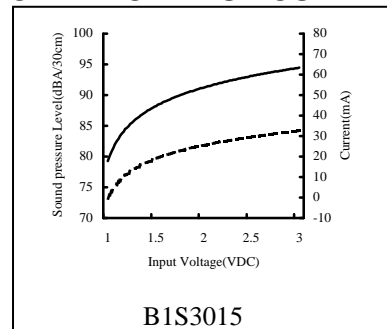
FEATURES:

- Economical magnetic buzzer
- Contactless vibration
- Single tone
- Medium to loud sound output
- Screw/PCB mounting
- Operating temperature -20°C --- $+70^{\circ}\text{C}$
- Storage temperature -30°C --- $+70^{\circ}\text{C}$

DIMENSIONS:



CHARACTERISTICS:



Remark: ——— Pressure level ----- Current

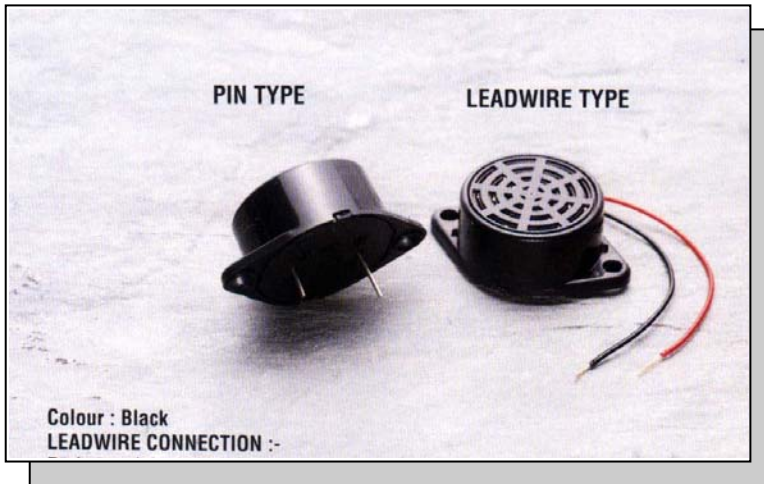
L=110mm, standard (changes as your request)

SPECIFICATIONS:

Model No.	Operating Voltage (VDC)	Rated Voltage (VDC)	Max. Current at Rated Voltage (mA)	Frequency (kHz)	Min. Sound Pressure at Rated Voltage (dBA/30cm)	Pulse Rate at Rated Voltage (Pulse/Sec)	Tone	Terminal
B1S3015	1-3	1.5	25	2.8 \pm 0.3	80	NIL	SINGLE	LEAD/PIN
B1S3030	2-5	3	35	2.8 \pm 0.3	85	NIL	SINGLE	LEAD/PIN
B1S3060	4-9	6	35	2.8 \pm 0.3	85	NIL	SINGLE	LEAD/PIN
B1S3090	6-11	9	40	2.8 \pm 0.3	85	NIL	SINGLE	LEAD/PIN

ECHO-MAGNETIC BUZZER

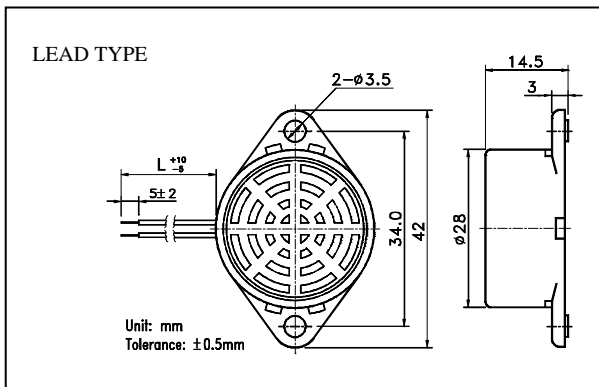
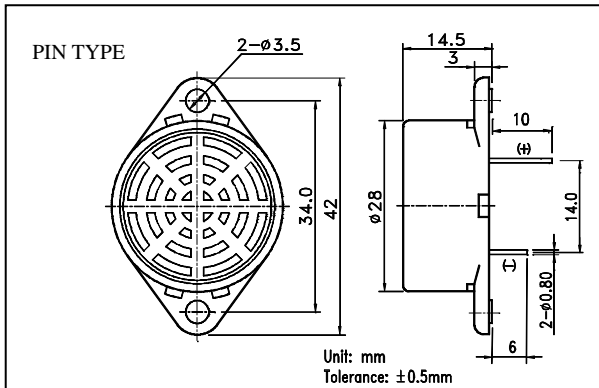
B1



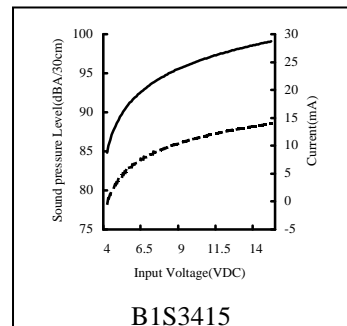
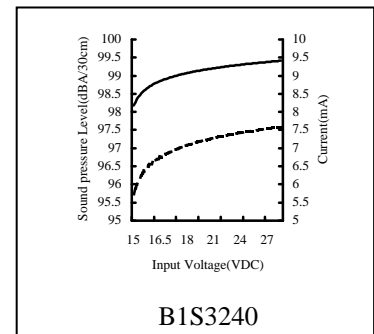
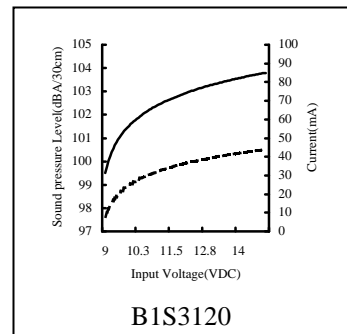
FEATURES:

- Economical magnetic buzzer
- Contactless vibration
- Single tone
- Medium to loud sound output
- Screw/PCB mounting
- Operating temperature -20°C --- $+70^{\circ}\text{C}$
- Storage temperature -30°C --- $+70^{\circ}\text{C}$

DIMENSIONS:



CHARACTERISTICS:



Remark: ——— Pressure level - - - - - Current
L=110mm, standard (changes as your request)

SPECIFICATIONS:

Model No.	Operating Voltage (VDC)	Rated Voltage (VDC)	Max. Current at Rated Voltage (mA)	Frequency (kHz)	Min. Sound Pressure at Rated Voltage (dB(A)/30cm)	Pulse Rate at Rated Voltage (Pulse/Sec)	Tone	Terminal
B1S3120	9-15	12	40	2.8±0.3	90	NIL	SINGLE	LEAD/PIN
B1S3240	15-28	24	20	2.8±0.3	90	NIL	SINGLE	LEAD/PIN
B1S3415	4-15	12	15	2.8±0.3	85	NIL	SINGLE	LEAD/PIN