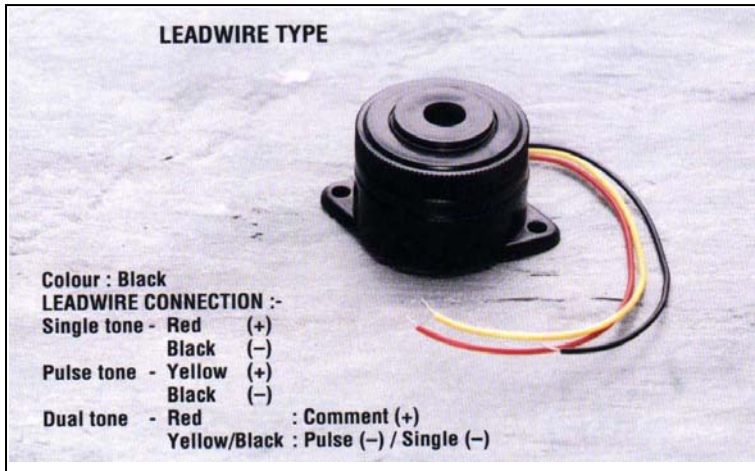


ECHO-PIEZO BUZZER

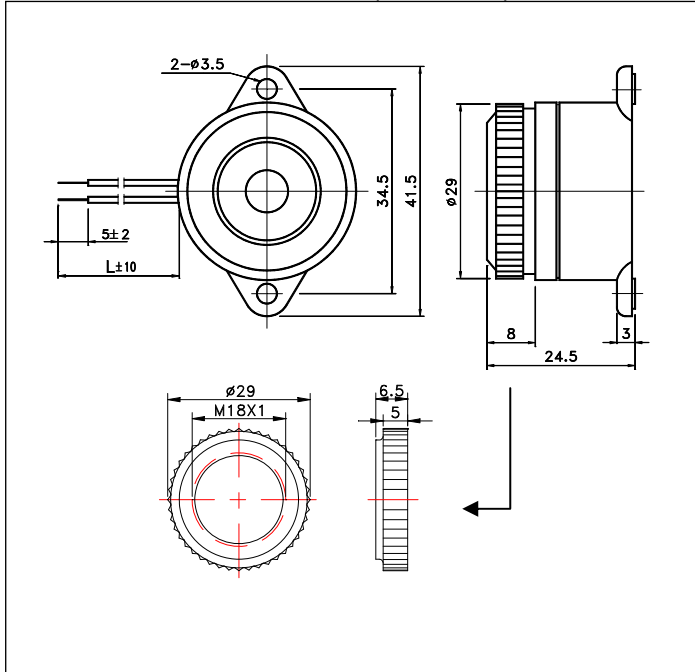
B7 SERIES



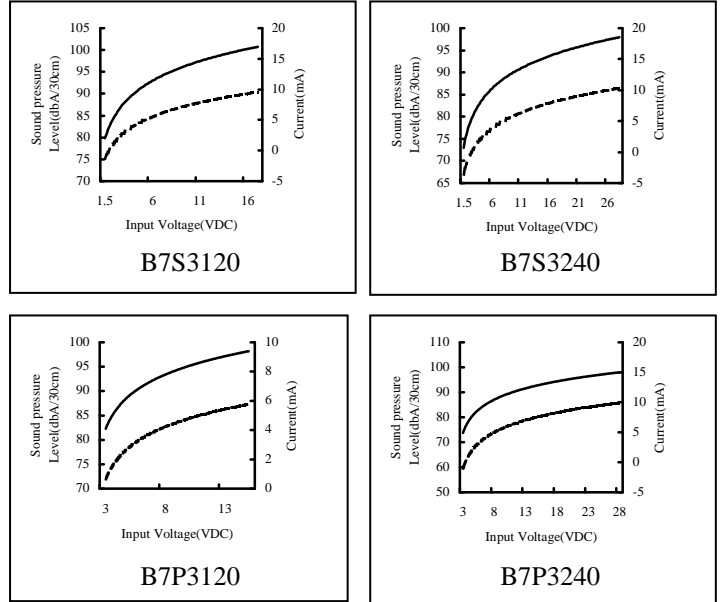
FEATURES:

- Panel-mounted piezobuzzer
- Single tone/Pulse tone/Dual tone
- Medium to loud sound output
- Flying leadwire terminals
- Operating temperature -20°C --- $+70^{\circ}\text{C}$
- Storage temperature -30°C --- $+70^{\circ}\text{C}$

DIMENSIONS: (unit: mm)



CHARACTERISTICS:



Remark: ——— Pressure level - - - - - Current

SPECIFICATIONS:

Model No.	Operating Voltage (VDC)	Rated Voltage (VDC)	Min. Sound Pressure at Rated Voltage (dBA/30cm)	Max. Current at Rated Voltage (mA)	Frequency (kHz)	Pulse Rate at Rated Voltage (pulse/sec)	Tone	Terminal
B7S3120	1.5-16	12	95	15	3.5±0.5	0	SINGLE	LEAD
B7S3240	1.5-28	24	95	20	3.5±0.5	0	SINGLE	LEAD
B7P3120	3-15	12	90	10	3.2±0.5	2-7	PULSE	LEAD
B7P3240	3-28	24	90	15	3.2±0.5	2-7	PULSE	LEAD
B7P3240(HI)	6-28	24	100	30	3.2±0.5	2-7	PULSE	LEAD
B7D3120	3-15	12	95/90	20	3.2±0.5	2-7	SINGLE/PULSE	LEAD
B7D3240	6-28	24	95/90	20	3.2±0.5	2-7	SINGLE/PULSE	LEAD