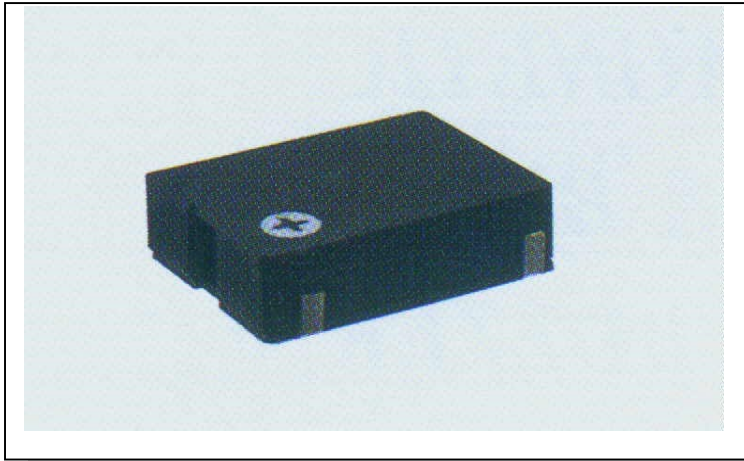


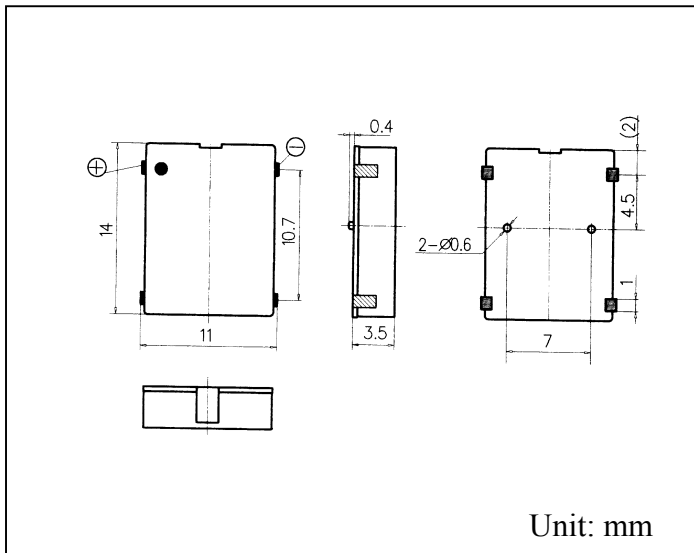
ECHO-MAGNETIC TRANSDUCER MT1411 SERIES



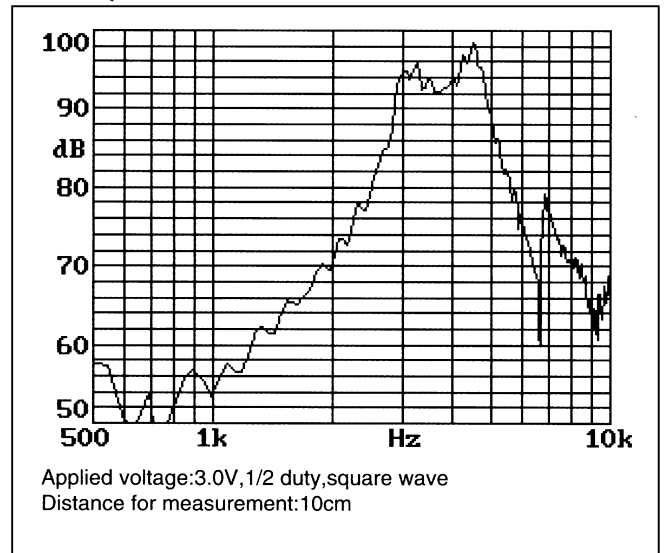
FEATURES:

- SMD type
- Emit a clear sound
- Small size & lightweight
- No electric noise
- Infrared reflow solder
- Operating temperature -20°C ~ $+70^{\circ}\text{C}$
- Storage temperature -30°C ~ $+70^{\circ}\text{C}$

DIMENSIONS:



FREQUENCY RESPONSE:



SPECIFICATIONS:

Model Number	MT1411-01	MT1411-02
Rated Voltage (V)	1.5	3
Operating Voltage (V)	1.2~1.7	2~4.5
◆Max. Rated Current (mA)	80	70
Coil Resistance (Ω)	9 \pm 2	19 \pm 2
◆Min. Sound Output at 10cm (dB)	85	87
Resonant Frequency (Hz)	3200	
Operating Temperature ($^{\circ}\text{C}$)	-10~+55	
Storage Temperature ($^{\circ}\text{C}$)	-55~+88	
Weight (g)	1	

◆Value applying rated voltage (3200Hz, 1/2 duty, square wave)