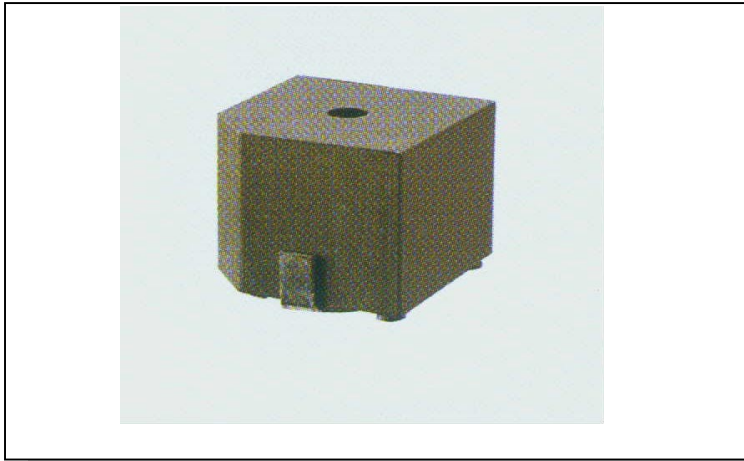


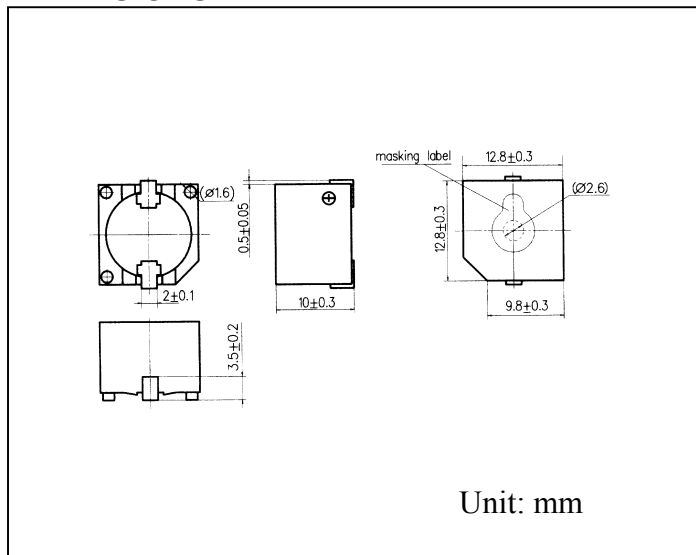
ECHO-MAGNETIC TRANSDUCER MT1310 SERIES



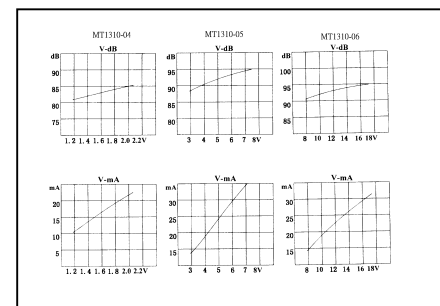
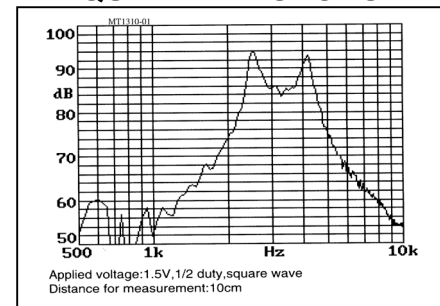
FEATURES:

- SMD type
- Emit a clear sound
- Small size & lightweight
- No electric noise
- Infrared reflow solder
- Operating temperature -20°C ~ $+70^{\circ}\text{C}$
- Storage temperature -30°C ~ $+70^{\circ}\text{C}$

DIMENSIONS:



FREQUENCY RESPONSE:



SPECIFICATIONS:

Model Number	MT1310-01	MT1310-02	MT1310-03	MT1310-04	MT1310-05	MT1310-06
Rated Voltage (V)	1.5	6	12	1.5	5	12
Operating Voltage (V)	1.2~3	4~8	8~16	1.4~3	4~7	8~15
◆Max. Rated Current (mA)	70	40	40	20	30	30
Coil Resistance (Ω)	15	47	140			
◆Min. Sound Output at 10cm (dB)	85	90	90	75	85	85
Resonant Frequency (Hz)	2400			2400±400	2300±300	
Operating Temperature ($^{\circ}\text{C}$)	-40~+85			-20~+70		
Storage Temperature ($^{\circ}\text{C}$)	-40~+90			-30~+80		
Weight (g)	2			2		

◆ Value applying rated voltage (resonant frequency, 1/2 duty, square wave)