

ECHO-MAGNETIC BUZZER

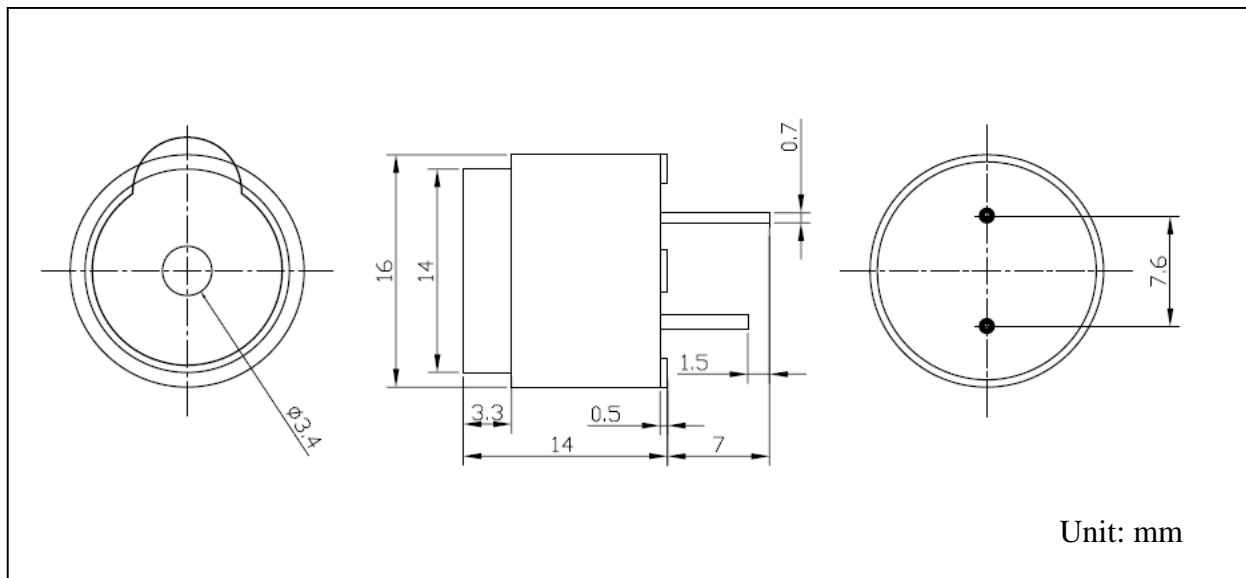
B25 SERIES



FEATURES:

- Electromagnetic Sound generator
- Sealed design for wave soldering and washing
- Operating temperature -25°C --- $+70^{\circ}\text{C}$
- Storage temperature -35°C --- $+80^{\circ}\text{C}$

DIMENSIONS:



SPECIFICATIONS:

Model		B25-06	B25-12	B25-24
Rated Voltage	(V)	6	12	24
Operating Voltage	(V)	4~8	9~15	12~28
Rated Current	(mA)	≤ 40	≤ 40	≤ 40
Coil Resistance	(Ω)	50 ± 5	115 ± 12	250 ± 14
Coil Impedance	(Ω)	110	200	650
Sound Output	(dB / 10cm)	≥ 85	≥ 85	≥ 85
Resonant Frequency	(Hz)	2048	2048	2048
Operating Temperature	($^{\circ}\text{C}$)	-25 ~ +70		
Storage Temperature	($^{\circ}\text{C}$)	-35 ~ +80		
Weight	(g)	7		